





Agriculture



Automotive



Construction



Industrial



Motor Sport

# WE LOVE OUR PRODUCTS.

“We are proud to be a European manufacturer; it is a privilege to supply our products to some of the world’s most prestigious original equipment manufacturers in the Agricultural, Automotive, Construction, Industrial and Motor Sport sectors”.

“Our distributor network is vital to the continued global growth of the DUNLOP brand and our valued distributor partners form the perfect link between manufacturer and end user”.

“Our commitment to our staff, our customers and the environment is of paramount importance to our company, we will continue to develop our organisational skills to further enhance our company’s potential, to engage in sustainable practices and anticipate the needs and expectations of our customers”.

“We love our products”.

**Ray Mifsud, Managing Director.**

A handwritten signature in black ink, appearing to read 'R. Mifsud'.





**Dunlop BTL Ltd - Ashford  
European Distribution Centre**

MPT House, Brunswick Road  
Cobbs Wood Industrial Estate  
Ashford, Kent  
TN23 1EL , United Kingdom

**Dunlop BTL Ltd - Consett  
UK Manufacturing Centre**

Unit 46, Werdolh Way,  
No 1 Industrial Estate,  
Consett, County Durham  
DH8 6SZ , United Kingdom



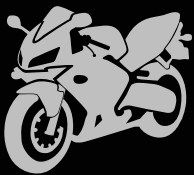
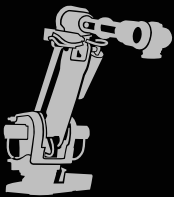
**Contact us**

-  +44 (0)1233 663340
-  +44 (0)1233 664440
-  [sales@dunlopctl.com](mailto:sales@dunlopctl.com)
-  [www.dunlopctl.com](http://www.dunlopctl.com)



**Manufacturing Facilities**

- UNITED KINGDOM
- FRANCE
- GERMANY
- ITALY
- SPAIN
- POLAND
- CZECH REPUBLIC
- SLOVAKIA
- SERBIA
- CHINA
- USA





### **Manufacturing Facilities, Consett, Co. Durham UK**

Unit 46, Werdolh Way,  
No 1 Industrial Estate,  
Consett, County Durham  
DH8 6SZ , United Kingdom

### **European Distribution Centre, Ashford, Kent UK**

MPT House, Brunswick Road  
Cobbs Wood Industrial Estate  
Ashford, Kent  
TN23 1EL , United Kingdom

“We are proud to be a European manufacturer; it is a privilege to supply our products to some of the world’s most prestigious original equipment manufacturers in the Agricultural, Automotive, Construction, Industrial and Motor Sport sectors”.

“Our distributor network is vital to the continued global growth of the DUNLOP brand and our valued distributor partners form the perfect link between manufacturer and end user”.

“Our commitment to our staff, our customers and the environment is of paramount importance to our company, we will continue to develop our organisational skills to further enhance our company’s potential, to engage in sustainable practices and anticipate the needs and expectations of our customers”.

**“At Dunlop BTL we love our products”.**

**Ray Mifsud, *Managing Director.***



English



Español



Italiano



Deutsch



Français



Nederlands



Polskie

### Pilot Bore Sprockets Steel

171

Piloto llevaba piñones acero • Pignoni in acciaio foro pilota  
 Pilot trug Kettenräder Stahl • Préalésage pignons en acier  
 Pilot boring tandkransen staal • Pilot lufie stalowe koła zębate

### Pilot Bore Sprockets Cast Iron

185

Piloto llevaba piñones de hierro fundido • Foro pilota pignoni in ghisa  
 Pilot trug Kettenräder aus Gusseisen • Préalésage pignons en fonte  
 Pilot boring kettingwielen gietijzer • zębatkami lufie Pilot żeliwo

### Pre Bored Sprockets

189

Pre aburrido piñones • Pre pignoni • Vor Langeweile Kettenräder  
 Pré ennuyé pignons • Pre verveeld tandwielen • Pre znudzone zębatek

### Stainless Steel Sprockets

200

Piñones de acero inoxidable • Pignoni in acciaio inox • Edelstahl-Kettenräder  
 Pignons en acier inoxydable • Roestvrij stalen tandwielen • koła zębate ze stali  
 nierdzewnej

### Double Simplex Sprockets

202

Doble ruedas dentadas simplex • Doppie ruote dentate simplex  
 Doppelte simplex Kettenräder • Doubles pignons simplex • Dubbele simplex  
 tandwielen • Podwójne koła łańcuchowe simplex

### Taper Bore Sprockets

204

Agujero cónico piñones • Cono del foro pignoni • Konische Bohrung Kettenräder  
 Alésage conique pignons • Taper boring tandwielen • koła zębate stożkowe o lufie

### Idler Sprockets

209

Piñones de rueda locos • Pignoni folli • Spannrolle Kettenräder  
 Pignons tendeurs • Idler tandwielen • Koła napinające



## SPROCKETS - PILOT BORE DIN8187-ISO/R 606

### Description

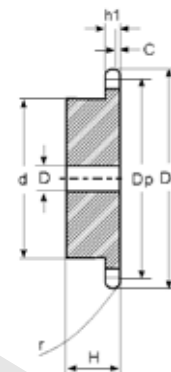
Pilot bore sprockets are manufactured to internationally recognised standards. DIN8187-ISO/R 606 and are produced from C45 steel. They have a black phosphated finish to increase corrosion resistance so extending the sprockets working life. Conveniently stocked with a minimum pilot bore (dimension 'D') they can be machined to suit any suitable mounting requirement. Available from stock to suit British standard roller chains from 04B (6mm pitch) up to 32B (2" pitch) sizes in Simplex (single), Duplex (double) & Triplex (treble) rows of teeth. A full range of plate wheels are also available.

**04B Chain**  
6mm x 2.8mm

Pitch: 6mm  
Internal width: 2.8mm  
Roller dia: 4mm

**Sprocket**

Tooth radius r: 6mm  
Radius width C: 0.7mm  
Tooth width h1: 2.6mm



### 04B-1

Teeth	De	Dp	Simplex			
			Part No.	d	D	H
8	18.00	15.67	PB104B/08	9.8	5	10
9	19.90	17.54	PB104B/09	11.5	5	10
10	21.70	19.42	PB104B/10	13.0	6	10
11	23.60	21.30	PB104B/11	14.0	6	10
12	25.40	23.18	PB104B/12	16.0	6	10
13	27.30	25.05	PB104B/13	18.0	8	10
14	29.20	26.96	PB104B/14	20.0	8	10
15	31.10	28.86	PB104B/15	20.0	8	10
16	33.00	30.76	PB104B/16	20.0	8	13
17	35.00	32.65	PB104B/17	20.0	8	13
18	36.90	34.55	PB104B/18	20.0	8	13
19	38.80	36.44	PB104B/19	20.0	8	13
20	40.70	38.34	PB104B/20	20.0	8	13
21	42.60	40.25	PB104B/21	25.0	8	13
22	44.50	42.16	PB104B/22	25.0	8	13
23	46.40	44.06	PB104B/23	25.0	8	13
24	48.30	45.96	PB104B/24	25.0	8	13
25	50.20	47.87	PB104B/25	25.0	8	13
26	52.10	49.77	PB104B/26	30.0	8	15
27	54.00	51.67	PB104B/27	30.0	8	15
28	55.90	53.58	PB104B/28	30.0	8	15



04B-1 continued

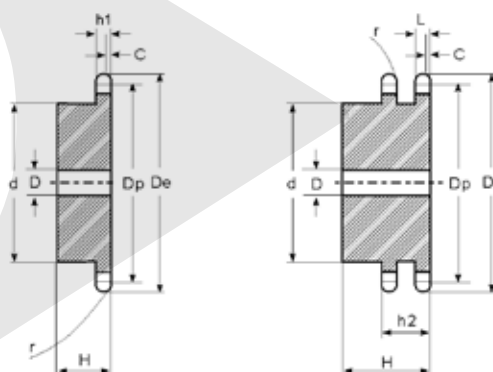
Teeth	De	Dp	Simplex			
			Part No.	d	D	H
29	57.80	55.50	PB104B/29	30.0	8	15
30	59.80	57.42	PB104B/30	30.0	8	15
31	61.70	59.31	PB104B/31	30.0	8	15
32	63.60	61.21	PB104B/32	30.0	8	15
33	65.50	63.11	PB104B/33	30.0	8	15
34	67.40	65.02	PB104B/34	30.0	8	15
35	69.30	66.93	PB104B/35	30.0	8	15
36	71.20	68.84	PB104B/36	30.0	8	15
37	73.10	70.75	PB104B/37	30.0	8	15
38	75.00	72.66	PB104B/38	30.0	8	15
39	76.90	74.56	PB104B/39	30.0	8	15
40	78.90	76.47	PB104B/40	30.0	8	15
45	88.50	86.01	PB104B/45	40.0	10	18
50	98.00	95.55	PB104B/50	50.0	12	20
57	111.40	108.93	PB104B/57	50.0	12	20

**05B Chain**  
**8mm x 3mm**

Pitch: 8mm  
Internal width: 3mm  
Roller dia: 5mm

**Sprocket**

Tooth radius r: 8mm  
Radius width C: 1mm  
Tooth width h1: 2.8mm  
Tooth width L: 2.7mm  
Tooth width h: 2:8.3mm



05B-1

05B-2

Teeth	De	Dp	Simplex				Duplex			
			Part No.	d	D	H	Part No.	d	D	H
8	24.00	20.90	PB105B/08	13	6	12	PB205B/08	12	8	18
9	26.60	23.39	PB105B/09	15	6	12	PB205B/09	15	8	18
10	29.20	25.89	PB105B/10	17	8	12	PB205B/10	17	8	18
11	31.70	28.39	PB105B/11	18	8	13	PB205B/11	19	10	18
12	34.20	30.91	PB105B/12	20	8	13	PB205B/12	21	10	18
13	36.70	33.42	PB105B/13	23	8	13	PB205B/13	24	10	18
14	39.20	35.95	PB105B/14	25	8	13	PB205B/14	26	10	18
15	41.70	38.48	PB105B/15	28	8	13	PB205B/15	29	10	18
16	44.30	41.01	PB105B/16	30	8	14	PB205B/16	32	10	20
17	46.80	43.53	PB105B/17	30	8	14	PB205B/17	34	10	20
18	49.30	46.07	PB105B/18	30	8	14	PB205B/18	37	10	20
19	51.90	48.61	PB105B/19	30	8	14	PB205B/19	39	10	20

05B-1 continued

05B-2 continued

Teeth	De	Dp	Simplex				Duplex			
			Part No.	d	D	H	Part No.	d	D	H
20	54.40	51.14	PB105B/20	30	8	14	PB205B/20	40	10	20
21	57.00	53.67	PB105B/21	35	8	14	PB205B/21	40	10	20
22	59.50	56.21	PB105B/22	35	8	14	PB205B/22	40	10	20
23	62.00	57.75	PB105B/23	35	8	14	PB205B/23	40	10	20
24	64.60	61.29	PB105B/24	35	8	14	PB205B/24	40	10	20
25	67.50	63.83	PB105B/25	35	8	14	PB205B/25	40	10	20
26	69.50	66.37	PB105B/26	40	10	16	PB205B/26	50	12	22
27	72.20	68.91	PB105B/27	40	10	16	PB205B/27	50	12	22
28	74.80	71.45	PB105B/28	40	10	16	PB205B/28	50	12	22
29	77.30	73.99	PB105B/29	40	10	16	PB205B/29	50	12	22
30	79.80	76.53	PB105B/30	40	10	16	PB205B/30	50	12	22
31	82.40	79.08	PB105B/31	40	10	16	PB205B/31	60	12	22
32	84.90	81.61	PB105B/32	40	10	16	PB205B/32	60	12	22
33	87.50	84.16	PB105B/33	40	10	16	PB205B/33	60	12	22
34	90.00	86.70	PB105B/34	40	10	16	PB205B/34	60	12	22
35	92.50	89.24	PB105B/35	40	10	16	PB205B/35	60	12	22
36	95.00	91.79	PB105B/36	40	10	16	PB205B/36	60	12	22
37	97.60	94.33	PB105B/37	40	10	16	PB205B/37	60	12	22
38	100.20	96.88	PB105B/38	40	10	16	PB205B/38	60	12	22
39	102.70	99.42	PB105B/39	40	10	16	PB205B/39	60	12	22
40	105.20	101.97	PB105B/40	40	10	16	PB205B/40	60	12	22
45	118.00	114.69	PB105B/45	60	20	20				
50	130.70	127.41	PB105B/50	60	20	20				
57	148.60	145.22	PB105B/57	80	20	20				
76	197.70	193.59	PB105B/76	80	25	25				



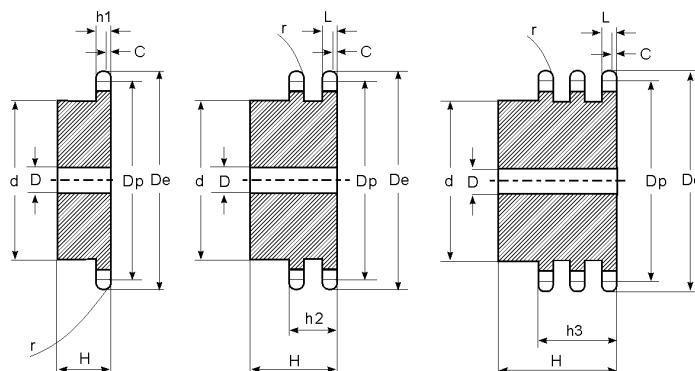


**06B Chain**  
**3/8" x 7/32"**

Pitch: 9.525mm  
Internal width: 5.72mm  
Roller dia: 6.35mm

**Sprocket**

Tooth radius: 10mm  
Radius width C: 1mm  
Tooth width h1: 5.3mm  
Tooth width L: 5.2mm  
Tooth width h2: 15.4mm  
Tooth width h3: 25.6mm



**06B-1 (3SR)**

**06B-2 (3DR)**

**06B-3 (3TR)**

Teeth	De	Dp	Simplex			Duplex			Triplex					
			Part No.	d	D	H	Part No.	d	D	H	Part No.	d	D	H
8	28.00	24.89	3SR08	15	8	22	3DR08	15	6	22	3TR08	15	6	32
9	31.00	27.85	3SR09	18	8	22	3DR09	18	8	22	3TR09	18	8	32
10	34.00	30.82	3SR10	20	8	22	3DR10	20	8	22	3TR10	20	10	32
11	37.00	33.80	3SR11	22	8	25	3DR11	22	10	25	3TR11	22	10	35
12	40.00	36.80	3SR12	25	8	25	3DR12	25	10	25	3TR12	25	10	35
13	43.00	39.80	3SR13	28	10	25	3DR13	28	10	25	3TR13	28	10	35
14	46.30	42.80	3SR14	31	10	25	3DR14	31	10	25	3TR14	31	12	35
15	49.30	45.81	3SR15	34	10	25	3DR15	34	10	25	3TR15	34	12	35
16	52.30	48.82	3SR16	37	10	28	3DR16	37	12	30	3TR16	37	12	35
17	55.30	51.83	3SR17	40	10	28	3DR17	40	12	30	3TR17	40	12	35
18	58.30	54.85	3SR18	43	10	28	3DR18	43	12	30	3TR18	43	12	35
19	61.30	57.87	3SR19	45	10	28	3DR19	46	12	30	3TR19	46	12	35
20	64.30	60.89	3SR20	46	10	28	3DR20	49	12	30	3TR20	49	12	35
21	68.00	63.91	3SR21	48	12	28	3DR21	52	12	30	3TR21	52	14	40
22	71.00	66.93	3SR22	50	12	28	3DR22	55	12	30	3TR22	55	14	40
23	73.50	69.95	3SR23	52	12	28	3DR23	58	12	30	3TR23	58	14	40
24	77.00	72.97	3SR24	54	12	28	3DR24	61	12	30	3TR24	61	14	40
25	80.00	76.00	3SR25	57	12	28	3DR25	64	12	30	3TR25	64	14	40
26	83.00	79.02	3SR26	60	12	28	3DR26	67	12	30	3TR26	67	14	40
27	86.00	82.04	3SR27	60	12	28	3DR27	70	12	30	3TR27	70	14	40
28	89.00	85.07	3SR28	60	12	28	3DR28	73	12	30	3TR28	73	14	40
29	92.00	88.09	3SR29	60	12	28	3DR29	76	12	30	3TR29	76	14	40
30	94.70	91.12	3SR30	60	12	28	3DR30	79	12	30	3TR30	79	14	40
31	98.30	94.15	3SR31	65	14	30	3DR31	80	16	30	3TR31	80	116	40
32	101.30	97.17	3SR32	65	14	30	3DR32	80	16	30	3TR32	80	16	40
33	104.30	100.20	3SR33	65	14	30	3DR33	80	16	30	3TR33	80	16	40
34	107.30	103.23	3SR34	65	14	30	3DR34	80	16	30	3TR34	85	16	40
35	110.40	106.26	3SR35	65	14	30	3DR35	80	16	30	3TR35	85	16	40
36	113.40	109.29	3SR36	70	16	30	3DR36	90	16	30	3TR36	90	16	40
37	116.40	112.32	3SR37	70	16	30	3DR37	90	16	30	3TR37	90	16	40
38	119.50	115.34	3SR38	70	16	30	3DR38	90	16	30	3TR38	90	16	40
39	122.50	118.37	3SR39	70	16	30	3DR39	90	16	30	3TR39	90	16	40
40	125.50	121.40	3SR40	70	16	30	3DR40	90	16	30	3TR40	90	16	40

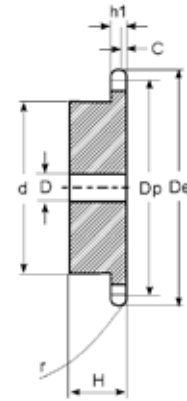
Plate wheels are also available part no. 3SR08PW etc.

**081 Chain**  
**1/2" x 1/8"**

Pitch: 12.7mm  
Internal width: 3.3mm  
Roller dia: 7.75mm

**Sprocket**

Tooth radius: 13mm  
Radius width C: 1mm  
Tooth width h1: 3mm



**081-1**

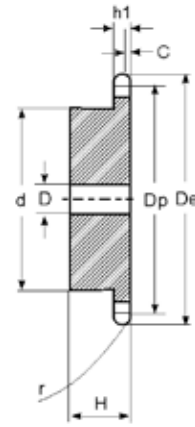
Teeth	De	Dp	Simplex			
			Part No.	d	D	H
8	37.20	33.18	PB081/08	21	8	14
9	41.50	37.13	PB081/09	25	8	14
10	46.20	41.10	PB081/10	28	8	14
11	49.60	45.07	PB081/11	31	8	16
12	53.90	49.07	PB081/12	35	8	16
13	58.40	53.06	PB081/13	39	8	16
14	62.80	57.07	PB081/14	43	8	16
15	66.80	61.09	PB081/15	47	8	16
16	70.90	65.10	PB081/16	50	10	18
17	74.90	69.11	PB081/17	50	10	18
18	78.90	73.14	PB081/18	50	10	18
19	82.90	77.16	PB081/19	50	10	18
20	86.90	81.19	PB081/20	50	10	18
21	91.00	85.22	PB081/21	60	12	20
22	95.00	89.24	PB081/22	60	12	20
23	99.00	93.27	PB081/23	60	12	20
24	103.00	97.29	PB081/24	60	12	20
25	107.10	101.33	PB081/25	60	12	20
26	111.20	105.36	PB081/26	70	16	20
27	115.40	109.40	PB081/27	70	16	20
28	119.40	113.42	PB081/28	70	16	20
29	123.40	117.46	PB081/29	70	16	20
30	127.50	121.50	PB081/30	70	16	20
31	131.50	125.54	PB081/31	70	16	20
32	135.50	129.56	PB081/32	70	16	20
33	139.60	133.60	PB081/33	70	16	20
34	143.60	137.64	PB081/34	70	16	20
35	147.60	141.68	PB081/35	70	16	20
36	151.70	145.72	PB081/36	70	16	25
37	155.70	149.76	PB081/37	70	16	25
38	159.80	153.80	PB081/38	70	16	25
39	163.80	157.83	PB081/39	70	16	25
40	167.80	161.87	PB081/40	70	16	25

**083 Chain**  
**1/2" x 3/16"**

Pitch: 12.7mm  
Internal width: 4.88mm  
Roller dia: 7.75mm

**Sprocket**

Tooth radius: 13mm  
Radius width C: 1.3mm  
Tooth width h1: 4.5mm



**083-1**

Teeth	De	Dp	Simplex			
			Part No.	d	D	H
8	37.20	33.18	PB083/08	21	8	14
9	41.50	37.13	PB083/09	25	8	14
10	46.20	41.10	PB083/10	28	8	14
11	49.60	45.07	PB083/11	31	8	16
12	53.90	49.07	PB083/12	35	8	16
13	58.40	53.06	PB083/13	39	8	16
14	62.80	57.07	PB083/14	43	8	16
15	66.80	61.09	PB083/15	47	8	16
16	70.90	65.10	PB083/16	50	10	18
17	74.90	69.11	PB083/17	50	10	18
18	78.90	73.14	PB083/18	50	10	18
19	82.90	77.16	PB083/19	50	10	18
20	86.90	81.19	PB083/20	50	10	18
21	91.00	85.22	PB083/21	60	12	20
22	95.00	89.24	PB083/22	60	12	20
23	99.00	93.27	PB083/23	60	12	20
24	103.00	97.29	PB083/24	60	12	20
25	107.10	101.33	PB083/25	60	12	20
26	111.20	105.36	PB083/26	70	16	20
27	115.40	109.40	PB083/27	70	16	20
28	119.40	113.42	PB083/28	70	16	20
29	123.40	117.46	PB083/29	70	16	20
30	127.50	121.50	PB083/30	70	16	20
31	131.50	125.54	PB083/31	70	16	20
32	135.50	129.56	PB083/32	70	16	20
33	139.60	133.60	PB083/33	70	16	20
34	143.60	137.64	PB083/34	70	16	20
35	147.60	141.68	PB083/35	70	16	20
36	151.70	145.72	PB083/36	70	16	25
37	155.70	149.76	PB083/37	70	16	25
38	159.80	153.80	PB083/38	70	16	25
39	163.80	157.83	PB083/39	70	16	25
40	167.80	161.87	PB083/40	70	16	25

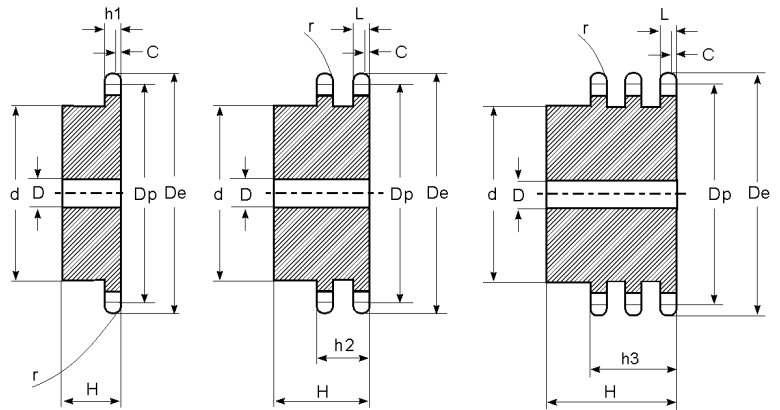


**08B Chain**  
**1/2" x 5/16"**

Pitch: 12.7mm  
Internal width: 7.75mm  
Roller dia: 8.51mm

**Sprocket**

Tooth radius r: 13mm  
Radius width C: 1.3mm  
Tooth width h1: 7.2mm  
Tooth width L: 7mm  
Tooth width h2: 21mm  
Tooth width h3: 34.9mm



**08B-1 (4SR)**

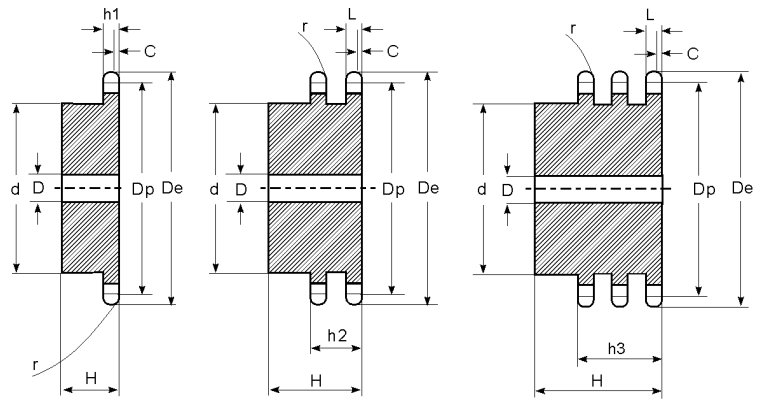
**08B-2 (4DR)**

**08B-3 (4TR)**

Teeth	De	Dp	Simplex			Duplex			Triplex					
			Part No.	d	D	H	Part No.	d	D	H	Part No.	d	D	H
8	37.2	33.2	4SR08	20	10	22	4DR08	20	10	32	4TR08	20	10	46
9	41.0	37.1	4SR09	24	10	22	4DR09	24	10	32	4TR09	24	12	46
10	45.2	41.1	4SR10	26	10	22	4DR10	28	10	32	4TR10	28	12	46
11	48.7	45.1	4SR11	29	10	25	4DR11	32	12	35	4TR11	32	14	50
12	53.0	49.1	4SR12	33	10	25	4DR12	35	12	35	4TR12	35	14	50
13	57.4	53.1	4SR13	37	10	25	4DR13	38	12	35	4TR13	38	14	50
14	61.8	57.1	4SR14	41	10	25	4DR14	42	12	35	4TR14	42	14	50
15	65.5	61.1	4SR15	45	10	25	4DR15	46	12	35	4TR15	46	14	50
16	69.5	65.1	4SR16	50	12	28	4DR16	50	14	35	4TR16	50	16	50
17	73.6	69.1	4SR17	52	12	28	4DR17	54	14	35	4TR17	54	16	50
18	77.8	73.1	4SR18	56	12	28	4DR18	58	14	35	4TR18	58	16	50
19	81.7	77.2	4SR19	60	12	28	4DR19	62	14	35	4TR19	62	16	50
20	85.8	81.2	4SR20	64	12	28	4DR20	66	14	35	4TR20	66	16	50
21	89.7	85.2	4SR21	68	12	28	4DR21	70	16	40	4TR21	70	20	55
22	93.8	89.2	4SR22	70	12	28	4DR22	70	16	40	4TR22	70	20	55
23	98.2	93.3	4SR23	70	14	28	4DR23	70	16	40	4TR23	70	20	55
24	101.8	97.3	4SR24	70	14	28	4DR24	75	16	40	4TR24	75	20	55
25	105.8	101.3	4SR25	70	14	28	4DR25	80	16	40	4TR25	80	20	55
26	110.0	105.4	4SR26	70	16	28	4DR26	85	20	40	4TR26	85	20	55
27	114.00	109.40	4SR27	70	16	28	4DR27	85	20	40	4TR27	85	20	55
28	118.00	113.42	4SR28	70	16	28	4DR28	90	20	40	4TR28	90	20	55
29	122.00	117.46	4SR29	80	16	28	4DR29	95	20	40	4TR29	95	20	55
30	126.10	121.50	4SR30	80	16	28	4DR30	100	20	40	4TR30	100	20	55
31	130.20	125.54	4SR31	90	16	30	4DR31	100	20	40	4TR31	110	20	55
32	134.30	129.56	4SR32	90	16	30	4DR32	100	20	40	4TR32	110	20	55
33	138.40	133.60	4SR33	90	16	30	4DR33	100	20	40	4TR33	110	20	55
34	142.60	137.64	4SR34	90	16	30	4DR34	100	20	40	4TR34	110	20	55
35	146.70	141.68	4SR35	90	16	30	4DR35	100	20	40	4TR35	110	20	55
36	151.00	145.72	4SR36	90	16	30	4DR36	110	20	40	4TR36	120	25	55
37	154.60	149.76	4SR37	90	16	30	4DR37	110	20	40	4TR37	120	25	55
38	158.60	153.80	4SR38	90	16	30	4DR38	110	20	40	4TR38	120	25	55
39	162.70	157.83	4SR39	90	16	30	4DR39	110	20	40	4TR39	120	25	55
40	166.80	161.87	4SR40	90	16	30	4DR40	110	20	40	4TR40	120	25	55

**10B Chain** Pitch: 15.875mm  
**5/8" x 3/8"** Internal width: 9.65mm  
 Roller dia: 10.16mm

**Sprocket** Tooth radius r: 16mm  
 Radius width C: 1.6mm  
 Tooth width h1: 9.1mm  
 Tooth width L: 9mm  
 Tooth width h2: 25.5mm  
 Tooth width h3: 42.1mm



**10B-1 (5SR)**

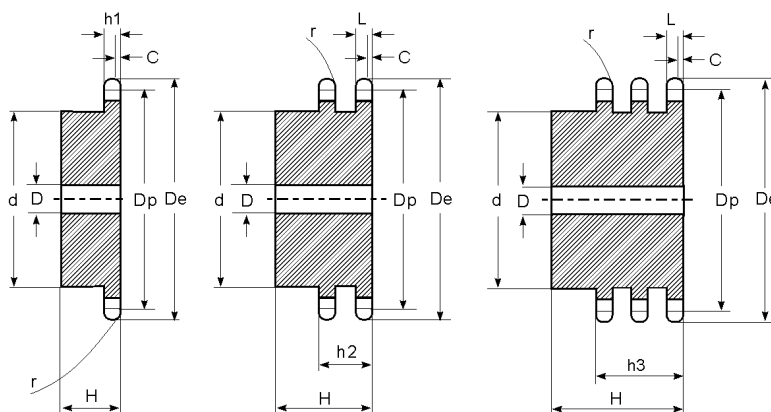
**10B-2 (5DR)**

**10B3 (5TR)**

Teeth	De	Dp	Simplex			Duplex			Triplex					
			Part No.	d	D	H	Part No.	d	D	H	Part No.	d	D	H
8	47.00	41.48	5SR08	25	10	25	5DR08	25	12	40	5TR08	25	12	55
9	52.60	46.42	5SR09	30	10	25	5DR09	30	12	40	5TR09	30	12	55
10	57.50	51.37	5SR10	35	10	25	5DR10	35	12	40	5TR10	35	16	55
11	63.00	56.34	5SR11	37	12	30	5DR11	39	14	40	5TR11	39	16	55
12	68.00	61.34	5SR12	42	12	30	5DR12	44	14	40	5TR12	44	16	55
13	73.00	66.32	5SR13	47	12	30	5DR13	49	14	40	5TR13	49	16	55
14	78.00	71.34	5SR14	52	12	30	5DR14	54	14	40	5TR14	54	16	55
15	83.00	76.36	5SR15	57	12	30	5DR15	59	14	40	5TR15	59	16	55
16	88.00	81.37	5SR16	60	12	30	5DR16	64	16	45	5TR16	64	16	60
17	93.00	86.39	5SR17	60	12	30	5DR17	69	16	45	5TR17	69	16	60
18	98.30	91.42	5SR18	70	14	30	5DR18	74	16	45	5TR18	74	16	60
19	103.30	96.45	5SR19	70	14	30	5DR19	79	16	45	5TR19	79	16	60
20	108.40	101.49	5SR20	75	14	30	5DR20	84	16	45	5TR20	84	16	60
21	113.40	106.52	5SR21	75	16	30	5DR21	85	16	45	5TR21	85	20	60
22	118.00	111.55	5SR22	80	16	30	5DR22	90	16	45	5TR22	90	20	60
23	123.40	116.58	5SR23	80	16	30	5DR23	95	16	45	5TR23	95	20	60
24	128.30	121.62	5SR24	80	16	30	5DR24	100	16	45	5TR24	100	20	60
25	134.00	126.66	5SR25	80	16	30	5DR25	105	16	45	5TR25	105	20	60
26	139.00	131.70	5SR26	85	20	35	5DR26	110	20	45	5TR26	110	20	60
27	144.00	136.75	5SR27	85	20	35	5DR27	110	20	45	5TR27	110	20	60
28	148.70	141.78	5SR28	90	20	35	5DR28	115	20	45	5TR28	115	20	60
29	153.80	146.83	5SR29	90	20	35	5DR29	115	20	45	5TR29	115	20	60
30	158.80	151.87	5SR30	90	20	35	5DR30	120	20	45	5TR30	120	20	60
31	163.90	156.92	5SR31	95	20	35	5DR31	120	20	45	5TR31	120	20	60
32	168.90	161.95	5SR32	95	20	35	5DR32	120	20	45	5TR32	120	20	60
33	174.50	167.00	5SR33	95	20	35	5DR33	120	20	45	5TR33	120	20	60
34	179.00	172.05	5SR34	95	20	35	5DR34	120	20	45	5TR34	120	20	60
35	184.10	177.10	5SR35	95	20	35	5DR35	120	20	45	5TR35	120	20	60
36	189.10	182.15	5SR36	100	20	35	5DR36	120	20	45	5TR36	120	25	60
37	194.20	187.20	5SR37	100	20	35	5DR37	120	20	45	5TR37	120	25	60
38	199.20	192.24	5SR38	100	20	35	5DR38	120	20	45	5TR38	120	25	60
39	204.20	197.29	5SR39	100	20	35	5DR39	120	20	45	5TR39	120	25	60
40	209.30	202.34	5SR40	100	20	35	5DR40	120	20	45	5TR40	120	25	60

**12B Chain** Pitch: 19.05mm  
**3/4" x 7/16"** Internal width: 11.68mm  
 Roller dia: 12.07mm

**Sprocket** Tooth radius r: 19mm  
 Radius width C: 2mm  
 Tooth width h1: 11.1mm  
 Tooth width L: 10.8mm  
 Tooth width h2: 30.3mm  
 Tooth width h3: 49.8mm



**12B-1 (6SR)**

**12B-2 (6DR)**

**12B-3 (6TR)**

Teeth	De	Dp	Simplex			Duplex			Triplex					
			Part No.	d	D	H	Part No.	d	D	H	Part No.	d	D	H
8	57.6	49.8	6SR08	31	12	30	6DR08	31	12	45	6TR08	31	16	65
9	62.0	55.7	6SR09	37	12	30	6DR09	37	12	45	6TR09	37	16	65
10	69.0	61.6	6SR10	42	12	30	6DR10	42	12	45	6TR10	42	16	65
11	75.0	67.6	6SR11	46	14	35	6DR11	47	16	50	6TR11	47	20	70
12	81.5	73.6	6SR12	52	14	35	6DR12	53	16	50	6TR12	53	20	70
13	87.5	79.6	6SR13	58	14	35	6DR13	59	16	50	6TR13	59	20	70
14	93.6	85.6	6SR14	64	14	35	6DR14	65	16	50	6TR14	65	20	70
15	99.8	91.6	6SR15	70	14	35	6DR15	71	16	50	6TR15	71	20	70
16	105.5	97.7	6SR16	75	16	35	6DR16	77	20	50	6TR16	77	20	70
17	111.5	103.7	6SR17	80	16	35	6DR17	83	20	50	6TR17	89	20	70
18	118.0	109.7	6SR18	80	16	35	6DR18	89	20	50	6TR18	89	20	70
19	124.2	115.8	6SR19	80	16	35	6DR19	95	20	50	6TR19	95	20	70
20	129.7	121.8	6SR20	80	16	35	6DR20	100	20	50	6TR20	100	20	70
21	136.0	127.8	6SR21	90	20	40	6DR21	100	20	50	6TR21	100	20	70
22	141.8	133.9	6SR22	90	20	40	6DR22	100	20	50	6TR22	100	20	70
23	149.0	139.9	6SR23	90	20	40	6DR23	110	20	50	6TR23	110	20	70
24	153.9	145.9	6SR24	90	20	40	6DR24	110	20	50	6TR24	110	20	70
25	160.0	152.0	6SR25	90	20	40	6DR25	120	20	50	6TR25	120	20	70
26	165.9	158.0	6SR26	95	20	40	6DR26	120	20	50	6TR26	120	20	70
27	172.3	164.1	6SR27	95	20	40	6DR27	120	20	50	6TR27	120	20	70
28	178.0	170.1	6SR28	95	20	40	6DR28	120	20	50	6TR28	120	20	70
29	184.1	176.2	6SR29	95	20	40	6DR29	120	20	50	6TR29	120	20	70
30	190.5	182.3	6SR30	95	20	40	6DR30	120	20	50	6TR30	120	20	70
31	196.3	188.3	6SR31	100	20	40	6DR31	130	20	50	6TR31	130	25	70
32	203.3	194.4	6SR32	100	20	40	6DR32	130	20	50	6TR32	130	25	70
33	209.3	200.4	6SR33	100	20	40	6DR33	130	20	50	6TR33	130	25	70
34	214.6	206.5	6SR34	100	20	40	6DR34	130	20	50	6TR34	130	25	70
35	221.0	212.5	6SR35	100	20	40	6DR35	130	20	50	6TR35	130	25	70
36	226.8	218.6	6SR36	100	20	40	6DR36	130	25	50	6TR36	130	25	70
37	232.9	224.6	6SR37	100	20	40	6DR37	130	25	50	6TR37	130	25	70
38	239.0	230.7	6SR38	100	20	40	6DR38	130	25	50	6TR38	130	25	70
39	245.1	236.8	6SR39	100	20	40	6DR39	130	25	50	6TR39	130	25	70
40	251.3	242.8	6SR40	100	20	40	6DR40	130	25	50	6TR40	130	25	70

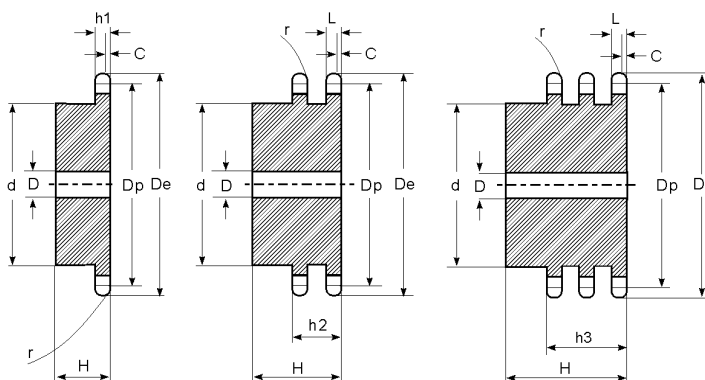


**16B Chain**  
**1" x 17.02mm**

Pitch : 25.4mm  
Internal width: 17.02mm  
Roller dia: 15.88mm

**Sprocket**

Tooth radius r: 26mm  
Radius width C: 2.5mm  
Tooth width h1: 16.2mm  
Tooth width L: 15.8mm  
Tooth width h2: 47.7mm  
Tooth width h3: 79.6mm



Sizes shown with an \* denotes welded boss

**16B-1 (8SR)**

**16B-2 (8DR)**

**16B-3 (8TR)**

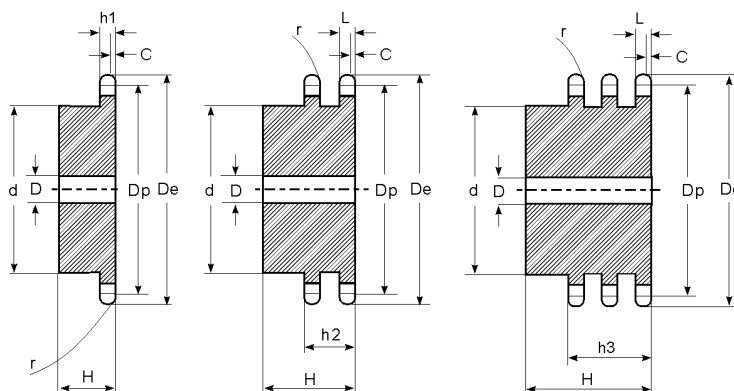
Teeth	De	Dp	Simplex			Duplex			Triplex					
			Part No.	d	D	H	Part No.	d	D	H	Part No.	d	D	H
8	77.00	66.37	8SR08	42	16	35	8DR08	42	16	65	8TR08	42	20	95
9	85.00	74.27	8SR09	50	16	35	8DR09	50	16	65	8TR09	50	20	95
10	93.00	82.19	8SR10	55	16	35	8DR10	56	16	65	8TR10	56	20	95
11	99.50	90.14	8SR11	61	16	40	8DR11	64	20	70	8TR11	64	25	100
12	109.00	98.14	8SR12	69	16	40	8DR12	72	20	70	8TR12	72	25	100
13	117.00	106.12	8SR13	78	16	40	8DR13	80	20	70	8TR13	80	25	100
14	125.00	114.15	8SR14	84	16	40	8DR14	88	20	70	8TR14	88	25	100
15	133.00	122.17	8SR15	92	16	40	8DR15	96	20	70	8TR15	96	25	100
16	141.00	130.20	8SR16	100	20	45	8DR16	104	20	70	8TR16	104	30	100
17	149.00	138.22	8SR17	100	20	45	8DR17	112	20	70	8TR17	112	30	100
18	157.00	146.28	8SR18	100	20	45	8DR18	120	20	70	8TR18	120	30	100
19	165.20	154.33	8SR19	100	20	45	8DR19	128	20	70	8TR19	128	30	100
20	173.20	162.38	8SR20	100	20	45	8DR20	130	20	70	8TR20	130	30	100
21	181.20	170.43	8SR21	110	20	50	8DR21	*130	25	70	8TR21	*130	30	100
22	189.30	178.48	8SR22	110	20	50	8DR22	*130	25	70	8TR22	*130	30	100
23	197.50	186.53	8SR23	110	20	50	8DR23	*130	25	70	8TR23	*130	30	100
24	205.50	194.59	8SR24	110	20	50	8DR24	*130	25	70	8TR24	*130	30	100
25	213.50	202.66	8SR25	110	20	50	8DR25	*130	25	70	8TR25	*130	30	100
26	221.60	210.72	8SR26	120	20	50	8DR26	*130	25	70	8TR26	*130	30	100
27	229.60	218.79	8SR27	120	20	50	8DR27	*130	25	70	8TR27	*130	30	100
28	237.70	226.85	8SR28	120	20	50	8DR28	*130	25	70	8TR28	*130	30	100
29	245.80	234.92	8SR29	120	20	50	8DR29	*130	25	70	8TR29	*130	30	100
30	254.00	243.00	8SR30	120	20	50	8DR30	*130	25	70	8TR30	*130	30	100
31	262.00	251.08	8SR31	*120	25	50	8DR31	*130	25	70	8TR31	*140	30	100
32	27.00	29.13	8SR32	*120	25	50	8DR32	*130	25	70	8TR32	*140	30	100
33	278.50	267.21	8SR33	*120	25	50	8DR33	*130	25	70	8TR33	*140	30	100
34	287.00	275.28	8SR34	*120	25	50	8DR34	*130	25	70	8TR34	*140	30	100
35	296.20	283.36	8SR35	*120	25	50	8DR35	*130	25	70	8TR35	*140	30	100
36	304.60	291.44	8SR36	*120	25	50	8DR36	*130	25	70	8TR36	*140	30	100
37	312.60	299.51	8SR37	*120	25	50	8DR37	*130	25	70	8TR37	*140	30	100
38	320.70	307.59	8SR38	*120	25	50	8DR38	*130	25	70	8TR38	*140	30	100
39	328.80	315.67	8SR39	*120	25	50	8DR39	*130	25	70	8TR39	*140	30	100
40	336.90	323.73	8SR40	*120	25	50	8DR40	*130	25	70	8TR40	*140	30	100

**20B Chain**  
1-1/4" x 3/4"

Pitch : 31.75mm  
Internal width: 19.56mm  
Roller dia: 19.05mm

**Sprocket**

Tooth radius r: 32mm  
Radius width C: 3.5mm  
Tooth width h1: 18.5mm  
Tooth width L: 18.2mm  
Tooth width h2: 54.6mm  
Tooth width h3: 91mm



Sizes shown with an \* denotes welded boss

**20B-1 (10SR)**

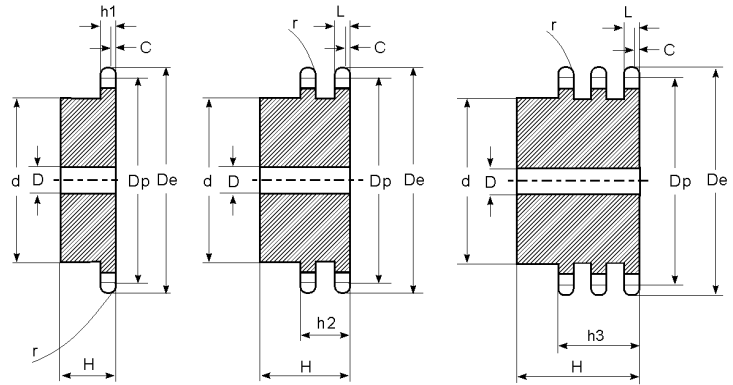
**20B-2 (10DR)**

**20B-3 (10TR)**

Teeth	De	Dp	Simplex			Duplex			Triplex					
			Part No.	d	D	H	Part No.	d	D	H	Part No.	d	D	H
8	98.10	82.96	10SR08	53	20	40	10DR08	53	20	75	10TR08	53	20	110
9	108.00	92.84	10SR09	63	20	40	10DR09	63	20	75	10TR09	63	20	110
10	117.90	102.74	10SR10	70	20	40	10DR10	70	20	75	10TR10	70	20	110
11	127.80	112.68	10SR11	77	20	45	10DR11	80	20	80	10TR11	80	20	115
12	137.80	122.68	10SR12	88	20	45	10DR12	90	20	80	10TR12	90	20	115
13	147.80	132.65	10SR13	98	20	45	10DR13	100	20	80	10TR13	100	20	115
14	157.80	142.68	10SR14	108	20	45	10DR14	110	20	80	10TR14	110	20	115
15	167.90	152.72	10SR15	118	20	45	10DR15	120	20	80	10TR15	120	20	115
16	177.90	162.75	10SR16	120	25	50	10DR16	120	25	80	10TR16	120	25	115
17	187.90	172.78	10SR17	120	25	50	10DR17	120	25	80	10TR17	120	25	115
18	198.00	182.85	10SR18	120	25	50	10DR18	*120	25	80	10TR18	*120	25	115
19	208.10	192.91	10SR19	120	25	50	10DR19	*120	25	80	10TR19	*120	25	115
20	218.10	202.98	10SR20	120	25	50	10DR20	*120	25	80	10TR20	*120	25	115
21	228.20	213.04	10SR21	140	25	55	10DR21	*140	25	80	10TR21	*140	25	115
22	238.30	223.11	10SR22	140	25	55	10DR22	*140	25	80	10TR22	*140	25	115
23	248.30	233.17	10SR23	140	25	55	10DR23	*140	25	80	10TR23	*140	25	115
24	258.40	243.23	10SR24	140	25	55	10DR24	*140	25	80	10TR24	*140	25	115
25	268.50	253.33	10SR25	140	25	55	10DR25	*140	25	80	10TR25	*140	25	115
26	278.60	263.40	10SR26	*150	25	55	10DR26	*150	25	80	10TR26	*150	25	115
27	288.60	273.48	10SR27	*150	25	55	10DR27	*150	25	80	10TR27	*150	25	115
28	298.70	283.56	10SR28	*150	25	55	10DR28	*150	25	80	10TR28	*150	25	115
29	308.80	293.65	10SR29	*150	25	55	10DR29	*150	25	80	10TR29	*150	25	115
30	318.90	303.75	10SR30	*150	25	55	10DR30	*150	25	80	10TR30	*150	25	115
31	329.00	313.85	10SR31	*150	25	55	10DR31	*150	25	80	10TR31	*150	30	115
32	339.10	323.91	10SR32	*150	25	55	10DR32	*150	25	80	10TR32	*150	30	115
33	349.20	334.01	10SR33	*150	25	55	10DR33	*150	25	80	10TR33	*150	30	115
34	359.30	334.10	10SR34	*150	25	55	10DR34	*150	25	80	10TR34	*150	30	115
35	369.40	354.20	10SR35	*150	25	55	10DR35	*150	25	80	10TR35	*150	30	115
36	379.50	364.30	10SR36	*150	25	55	10DR36	*150	30	80	10TR36	*150	30	115
37	389.50	374.39	10SR37	*150	25	55	10DR37	*150	30	80	10TR37	*150	30	115
38	399.60	384.49	10SR38	*150	25	55	10DR38	*150	30	80	10TR38	*150	30	115
39	409.70	394.59	10SR39	*150	25	55	10DR39	*150	30	80	10TR39	*150	30	115
40	419.80	404.66	10SR40	*150	25	55	10DR40	*150	30	80	10TR40	*150	30	115

**24B Chain** Pitch: 38.1mm  
**1-1/2" x 1"** Internal width: 25.4mm  
 Roller dia: 25.4mm

**Sprocket** Tooth radius r: 38mm  
 Radius width C: 4mm  
 Tooth width h1: 24.1mm  
 Tooth width L: 23.6mm  
 Tooth width h2: 72mm  
 Tooth width h3: 120.3mm



Sizes shown with an \* denotes welded boss

**24B-1 (12SR)**

**24B-2 (12DR)**

**24B-3 (12TR)**

Teeth	De	Dp	Simplex			Duplex			Triplex					
			Part No.	d	D	H	Part No.	d	D	H	Part No.	d	D	H
8	115.00	99.55	<b>12SR08</b>	58	20	45	<b>12DR08</b>	58	25	95	<b>12TR08</b>	58	25	140
9	126.40	111.40	<b>12SR09</b>	70	20	45	<b>12DR09</b>	70	25	95	<b>12TR09</b>	70	25	140
10	138.00	123.29	<b>12SR10</b>	80	20	45	<b>12DR10</b>	80	25	95	<b>12TR10</b>	80	25	140
11	150.00	135.21	<b>12SR11</b>	90	25	50	<b>12DR11</b>	90	25	100	<b>12TR11</b>	90	25	150
12	162.00	147.22	<b>12SR12</b>	102	25	50	<b>12DR12</b>	102	25	100	<b>12TR12</b>	102	25	150
13	174.20	159.18	<b>12SR13</b>	114	25	50	<b>12DR13</b>	114	25	100	<b>12TR13</b>	114	25	150
14	186.20	171.22	<b>12SR14</b>	128	25	50	<b>12DR14</b>	128	25	100	<b>12TR14</b>	128	25	150
15	198.20	183.26	<b>12SR15</b>	140	25	50	<b>12DR15</b>	140	25	100	<b>12TR15</b>	140	25	150
16	210.30	195.30	<b>12SR16</b>	*140	25	55	<b>12DR16</b>	*140	25	100	<b>12TR16</b>	*140	25	150
17	222.30	207.34	<b>12SR17</b>	*140	25	55	<b>12DR17</b>	*150	25	100	<b>12TR17</b>	*150	25	150
18	234.30	219.42	<b>12SR18</b>	*140	25	55	<b>12DR18</b>	*160	25	100	<b>12TR18</b>	*160	25	150
19	246.50	231.49	<b>12SR19</b>	*140	25	55	<b>12DR19</b>	*160	25	100	<b>12TR19</b>	*160	25	150
20	258.60	243.57	<b>12SR20</b>	*140	25	55	<b>12DR20</b>	*160	25	100	<b>12TR20</b>	*160	25	150
21	270.60	255.65	<b>12SR21</b>	*150	25	60	<b>12DR21</b>	*160	25	100	<b>12TR21</b>	*160	30	150
22	282.70	267.73	<b>12SR22</b>	*150	25	60	<b>12DR22</b>	*160	25	100	<b>12TR22</b>	*160	30	150
23	294.80	279.80	<b>12SR23</b>	*150	25	60	<b>12DR23</b>	*160	25	100	<b>12TR23</b>	*160	30	150
24	306.80	291.88	<b>12SR24</b>	*150	25	60	<b>12DR24</b>	*160	25	100	<b>12TR24</b>	*160	30	150
25	319.00	304.00	<b>12SR25</b>	*150	25	60	<b>12DR25</b>	*160	25	100	<b>12TR25</b>	*160	30	150
26	331.00	316.08	<b>12SR26</b>	*160	30	60	<b>12DR26</b>	*160	30	100	<b>12TR26</b>	*160	30	150
27	343.20	328.19	<b>12SR27</b>	*160	30	60	<b>12DR27</b>	*160	30	100	<b>12TR27</b>	*160	30	150
28	355.20	340.27	<b>12SR28</b>	*160	30	60	<b>12DR28</b>	*160	30	100	<b>12TR28</b>	*160	30	150
29	367.30	352.38	<b>12SR29</b>	*160	30	60	<b>12DR29</b>	*160	30	100	<b>12TR29</b>	*160	30	150
30	379.50	364.50	<b>12SR30</b>	*160	30	60	<b>12DR30</b>	*160	30	100	<b>12TR30</b>	*160	30	150
31	391.60	376.62	<b>12SR31</b>	*160	30	60	<b>12DR31</b>	*170	30	100	<b>12TR31</b>	*170	40	150
32	403.70	388.69	<b>12SR32</b>	*160	30	60	<b>12DR32</b>	*170	30	100	<b>12TR32</b>	*170	40	150
33	415.80	400.81	<b>12SR33</b>	*160	30	60	<b>12DR33</b>	*170	30	100	<b>12TR33</b>	*170	40	150
34	427.80	412.93	<b>12SR34</b>	*160	30	60	<b>12DR34</b>	*170	30	100	<b>12TR34</b>	*170	40	150
35	440.00	425.04	<b>12SR35</b>	*160	30	60	<b>12DR35</b>	*170	30	100	<b>12TR35</b>	*170	40	150
36	452.00	437.16	<b>12SR36</b>	*160	30	60	<b>12DR36</b>	*170	30	100	<b>12TR36</b>	*170	40	150
37	464.20	449.27	<b>12SR37</b>	*160	30	60	<b>12DR37</b>	*170	30	100	<b>12TR37</b>	*170	40	150
38	476.20	461.39	<b>12SR38</b>	*160	30	60	<b>12DR38</b>	*170	30	100	<b>12TR38</b>	*170	40	150
39	488.50	473.50	<b>12SR39</b>	*160	30	60	<b>12DR39</b>	*170	30	100	<b>12TR39</b>	*170	40	150
40	500.60	485.62	<b>12SR40</b>	*160	30	60	<b>12DR40</b>	*170	30	100	<b>12TR40</b>	*170	40	150

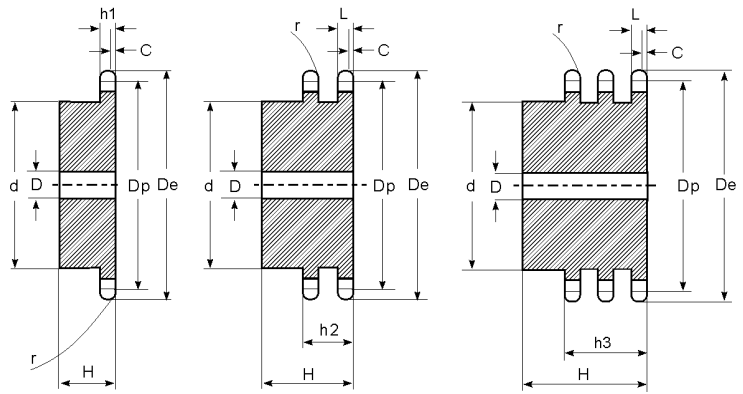


**28B Chain**  
1-3/4" x 1-1/4"

Pitch: 44.45mm  
Internal width: 30.99mm  
Roller dia: 27.94mm

**Sprocket**

Tooth radius r: 44mm  
Radius width C: 5mm  
Tooth width h1: 29.4mm  
Tooth width L: 28.8mm  
Tooth width h2: 88.4mm  
Tooth width h3: 148mm



Sizes shown with an \* denotes welded boss

**28B-1 (14SR)**

**28B-2 (14DR)**

**28B-3 (14TR)**

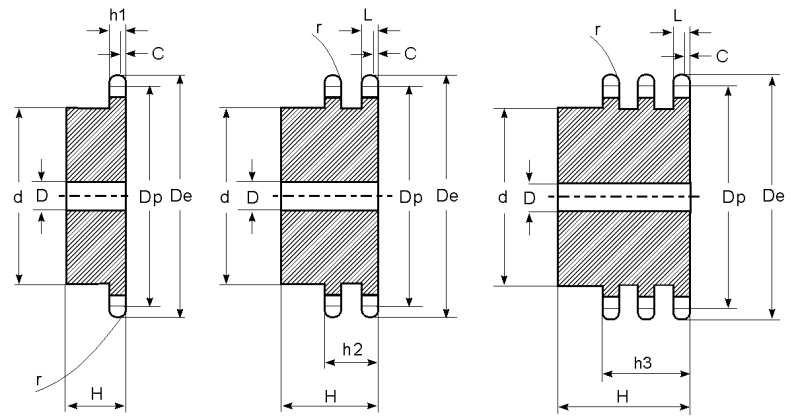
Teeth	De	Dp	Simplex				Duplex				Triplex			
			Part No.	d	D	H	Part No.	d	D	H	Part No.	d	D	H
8	132.00	116.15	14SR08	74	25	70	14DR08	74	25	120	14TR08	74	30	180
9	148.40	129.96	14SR09	88	25	70	14DR09	88	25	120	14TR09	88	30	180
10	162.30	143.85	14SR10	10	25	70	14DR10	100	25	120	14TR10	100	30	180
11	176.30	157.77	14SR11	112	25	70	14DR11	112	25	120	14TR11	112	30	180
12	189.30	171.74	14SR12	125	25	70	14DR12	125	25	120	14TR12	125	30	180
13	204.20	185.75	14SR13	*130	25	70	14DR13	*130	25	120	14TR13	*130	30	180
14	218.20	199.76	14SR14	*130	25	70	14DR14	*130	25	120	14TR14	*130	30	180
15	232.30	213.79	14SR15	*145	25	70	14DR15	*160	30	120	14TR15	*145	30	180
16	246.30	227.84	14SR16	*160	30	75	14DR16	*160	30	120	14TR16	*160	30	180
17	260.00	241.90	14SR17	*160	30	75	14DR17	*160	30	120	14TR17	*160	30	180
18	274.00	255.98	14SR18	*160	30	75	14DR18	*160	30	120	14TR18	*160	30	180
19	289.00	270.06	14SR19	*160	30	75	14DR19	*180	30	120	14TR19	*180	30	180
20	303.00	284.15	14SR20	*160	30	75	14DR20	*180	30	120	14TR20	*180	30	180
21	317.00	298.24	14SR21	*170	30	75	14DR21	*180	30	120	14TR21	*180	30	180
22	331.00	312.34	14SR22	*170	30	75	14DR22	*180	30	120	14TR22	*180	30	180
23	345.00	326.44	14SR23	*170	30	75	14DR23	*180	30	120	14TR23	*180	30	180
24	359.00	340.55	14SR24	*170	30	75	14DR24	*180	30	120	14TR24	*180	30	180
25	373.00	354.66	14SR25	*170	30	75	14DR25	*180	30	120	14TR25	*180	40	180
26	387.00	368.77	14SR26	*170	30	75	14DR26	*180	30	120	14TR26	*180	40	180
27	401.00	382.88	14SR27	*170	30	75	14DR27	*180	30	120	14TR27	*180	40	180
28	416.00	397.00	14SR28	*170	30	75	14DR28	*180	30	120	14TR28	*180	40	180
29	430.00	411.12	14SR29	*170	30	75	14DR29	*180	30	120	14TR29	*180	40	180
30	444.00	425.24	14SR30	*170	30	75	14DR30	*180	30	120	14TR30	*180	40	180
31	458.00	439.37	14SR31	*180	30	75	14DR31	*200	30	120	14TR31	*200	40	180
32	472.00	453.49	14SR32	*180	30	75	14DR32	*200	30	120	14TR32	*200	40	180
33	486.00	467.62	14SR33	*180	30	75	14DR33	*200	30	120	14TR33	*200	40	180
34	500.00	481.75	14SR34	*180	30	75	14DR34	*200	30	120	14TR34	*200	40	180
35	514.00	495.88	14SR35	*180	30	75	14DR35	*200	30	120	14TR35	*200	40	180
36	529.00	510.01	14SR36	*180	30	75	14DR36	*200	30	120	14TR36	*200	40	180
37	543.00	524.13	14SR37	*180	30	75	14DR37	*200	30	120	14TR37	*200	40	180
38	557.00	538.27	14SR38	*180	30	75	14DR38	*200	30	120	14TR38	*200	40	180
39	571.00	552.40	14SR39	*180	30	75	14DR39	*200	30	120	14TR39	*200	40	180
40	585.00	566.54	14SR40	*180	30	75	14DR40	*200	30	120	14TR40	*200	40	180

**32B Chain**  
**2" x 1-1/4"**

Pitch: 50.8mm  
Internal width: 30.99mm  
Roller dia: 29.21mm

**Sprocket**

Tooth radius r: 51mm  
Radius width C: 6mm  
Tooth width h1: 29.4mm  
Tooth width L: 28.8mm  
Tooth width h2: 87.4mm  
Tooth width h3: 146mm



Sizes shown with an \* denotes welded boss

**32B-1 (16SR)**

**32B-2 (16DR)**

**32B-3 (16TR)**

Teeth	De	Dp	Simplex			Duplex			Triplex					
			Part No.	d	D	H	Part No.	d	D	H	Part No.	d	D	H
8	153.20	132.74	16SR08	82	25	80	16DR08	82	30	120	16TR08	82	30	180
9	169.00	148.54	16SR09	88	25	80	16DR09	88	30	120	16TR09	88	30	180
10	185.00	164.39	16SR10	104	25	80	16DR10	104	30	120	16TR10	104	30	180
11	200.80	180.31	16SR11	120	30	80	16DR11	120	30	120	16TR11	120	30	180
12	216.80	196.29	16SR12	*133	30	80	16DR12	*133	30	120	16TR12	*133	30	180
13	232.80	212.29	16SR13	*145	30	80	16DR13	*145	30	120	16TR13	*145	30	180
14	248.80	228.29	16SR14	*160	30	80	16DR14	*160	30	120	16TR14	*160	30	180
15	264.80	244.30	16SR15	*160	30	80	16DR15	*160	30	120	16TR15	*160	30	180
16	280.90	260.40	16SR16	*160	30	90	16DR16	*160	30	120	16TR16	*160	30	180
17	296.90	276.46	16SR17	*170	30	90	16DR17	*180	30	120	16TR17	*180	30	180
18	313.00	292.55	16SR18	*170	30	90	16DR18	*180	30	120	16TR18	*180	30	180
19	329.10	308.66	16SR19	*170	30	90	16DR19	*200	30	120	16TR19	*200	30	180
20	345.20	324.71	16SR20	*180	30	90	16DR20	*200	30	120	16TR20	*200	30	180
21	361.30	340.82	16SR21	*180	30	90	16DR21	*200	30	120	16TR21	*200	40	180
22	377.50	356.98	16SR22	*180	30	90	16DR22	*200	30	120	16TR22	*200	40	180
23	393.60	373.08	16SR23	*180	30	90	16DR23	*200	30	120	16TR23	*200	40	180
24	409.70	389.18	16SR24	*180	30	90	16DR24	*200	30	120	16TR24	*200	40	180
25	425.80	405.33	16SR25	*180	30	90	16DR25	*200	30	120	16TR25	*200	40	180
26	441.90	421.44	16SR26	*180	30	90	16DR26	*200	30	120	16TR26	*200	40	180
27	458.10	437.59	16SR27	*180	30	90	16DR27	*200	30	120	16TR27	*200	40	180
28	474.20	453.69	16SR28	*180	30	90	16DR28	*200	30	120	16TR28	*200	40	180
29	492.00	469.85	16SR29	*180	30	90	16DR29							
30	506.50	486.00	16SR30	*180	30	90	16DR30	*200	30	120	16TR30	*200	40	180
32	538.80	518.27	16SR32	*180	30	90	16DR32							
35	589.50	566.71	16SR35	*180	30	90	16DR35							
38	635.50	615.16	16SR38	*180	30	90	16DR38							
40	670.30	647.47	16SR40	*180	30	90	16DR40							

Plate wheels are also available part no. 16SR08PW



## PILOT BORE SPROCKETS - CAST IRON

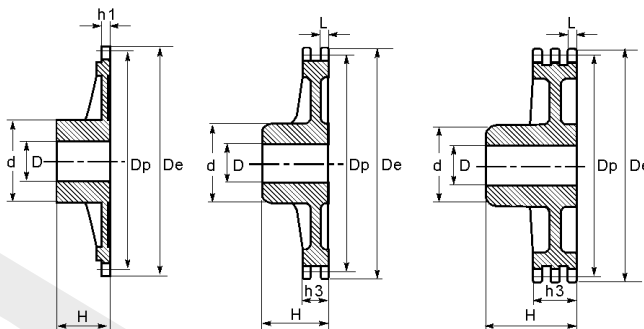
### Description

Pilot bore sprockets are manufactured to internationally recognised standards. DIN8187-ISO/R 606. Cast Iron sprockets are produced from GG22 EN -GJL-200 UNI 1561 cast iron. They have a black phosphated finish to increase corrosion resistance so extending the sprockets working life. Conveniently stocked with a minimum pilot bore (see dimension 'D') they can be machined to suit any suitable mounting requirement. Available from stock to suit British standard roller chains from 06B (3/8" pitch) up to 32B (2" pitch) sizes in Simplex (single), Duplex (double) & Triplex (treble) rows of teeth.

### 06B Chain 3/8" x 7/32"

Pitch: 9.525mm  
Internal width: 5.72mm  
Roller dia: 6.35mm  
Tooth radius: 10mm  
Radius width C: 1mm  
Tooth width h1: 5.3mm  
Tooth width :L 5.2mm  
Tooth width h2: 15.4mm  
Tooth width h3: 25.6mm

### Sprocket



### 06B-1 (3SR)

### 06B-2 (3DR)

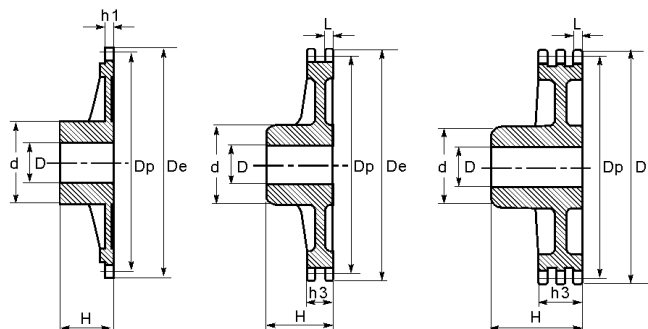
### 06B-3 (3TR)

Teeth	De	Dp	Simplex			Duplex			Triplex					
			Part No.	d	D	H	Part No.	d	D	H	Part No.	d	D	H
38	119.5	115.34	<b>3SR38C</b>	70	19	32	<b>3DR38C</b>	80	19	40	<b>3TR38C</b>	90	23	56
45	140.7	136.54	<b>3SR45C</b>	70	19	32	<b>3DR45C</b>	80	19	40	<b>3TR45C</b>	90	23	56
57	176.9	172.91	<b>3SR57C</b>	70	19	32	<b>3DR57C</b>	80	19	40	<b>3TR57C</b>	90	23	56
76	234.9	230.49	<b>3SR76C</b>	70	19	32	<b>3DR76C</b>	80	19	40	<b>3TR76C</b>	100	23	56
95	292.5	288.08	<b>3SR95C</b>	80	19	40	<b>3DR95C</b>	90	19	45	<b>3TR95C</b>	100	23	56
114	349.6	345.68	<b>3SR114C</b>	80	19	40	<b>3DR114C</b>	95	19	45	<b>3TR114C</b>	100	23	56

### 08B Chain 1/2" x 5/16"

Pitch: 12.7mm  
Internal width: 7.75mm  
Roller dia: 8.51mm  
Tooth radius r: 13mm  
Radius width C: 1.3mm  
Tooth width h1: 7.2mm  
Tooth width L: 7mm  
Tooth width h2: 21mm  
Tooth width h3: 34.9mm

### Sprocket



### 08B-1 (4SR)

### 08B-2 (4DR)

### 08B-3 (4TR)

Teeth	De	Dp	Simplex			Duplex			Triplex					
			Part No.	d	D	H	Part No.	d	D	H	Part No.	d	D	H
38	158.6	153.80	<b>4SR38C</b>	70	19	40	<b>4DR38C</b>	90	23	50	<b>4TR38C</b>	100	23	60
45	188.0	182.07	<b>4SR45C</b>	70	19	40	<b>4DR45C</b>	90	23	50	<b>4TR45C</b>	100	23	60
57	236.4	230.54	<b>4SR57C</b>	70	19	40	<b>4DR57C</b>	90	23	50	<b>4TR57C</b>	100	23	60
76	313.3	307.33	<b>4SR76C</b>	80	23	40	<b>4DR76C</b>	100	23	56	<b>4TR76C</b>	100	23	60

08B-1 (4SR)

08B-2 (4DR)

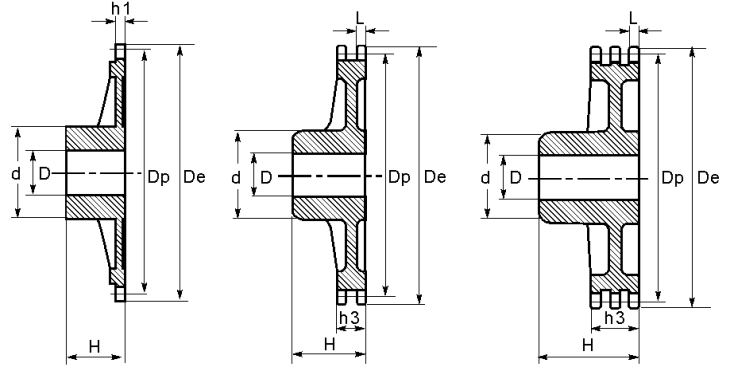
08B-3 (4TR)

Teeth	De	Dp	Simplex				Duplex				Triplex			
			Part No.	d	D	H	Part No.	d	D	H	Part No.	d	D	H
95	390.1	384.11	4SR95C	80	23	45	4DR95C	100	23	56	4TR95C	120	23	67
114	466.9	460.90	4SR114C	80	23	45	4DR114C	100	23	63	4TR114C	120	23	67

10B Chain  
5/8" x 3/8"

Pitch: 15.875mm  
Internal width: 9.65mm  
Roller dia: 10.16mm  
Tooth radius r: 16mm  
Radius width C: 1.6mm  
Tooth width h1: 9.1mm  
Tooth width L: 9mm  
Tooth width h2: 25.5mm  
Tooth width h3: 42.1mm

Sprocket



10B-1 (5SR)

10B-2 (5DR)

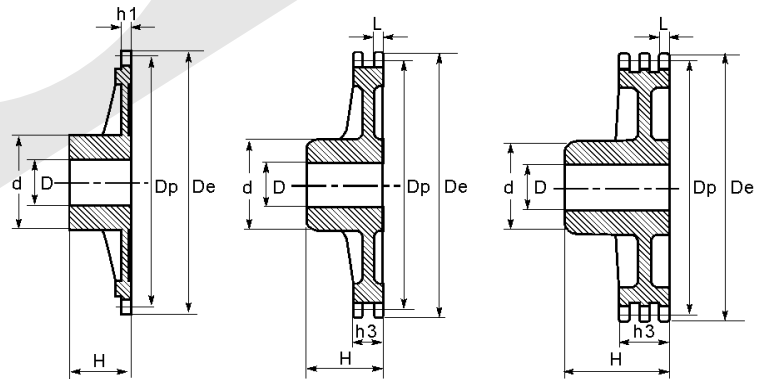
10B-3 (5TR)

Teeth	De	Dp	Simplex				Duplex				Triplex			
			Part No.	d	D	H	Part No.	d	D	H	Part No.	d	D	H
38	199.2	192.24	5SR38C	80	19	40	5DR38C	100	29	50	5TR38C	100	31	60
45	235	227.58	5SR45C	80	19	40	5DR45C	100	29	50	5TR45C	100	31	60
57	296	288.18	5SR57C	90	23	45	5DR57C	100	29	56	5TR57C	100	31	63
76	392.1	384.16	5SR76C	90	23	50	5DR76C	100	29	63	5TR76C	110	34	64
95	488.5	480.14	5SR95C	100	23	56	5DR95C	110	29	63	5TR95C	125	34	70
114	584.1	576.13	5SR114C	100	23	56	5DR114C	125	29	70	5TR114C	125	34	80

12B Chain  
3/4" x 7/16"

Pitch: 19.05mm  
Internal width: 11.68mm  
Roller dia: 12.07mm  
Tooth radius r: 19mm  
Radius width C: 2mm  
Tooth width h1: 11.1mm  
Tooth width L: 10.8mm  
Tooth width h2: 30.3mm  
Tooth width h3: 49.8mm

Sprocket



12B-1 (6SR)

12B-2 (6DR)

12B-3 (6TR)

Teeth	De	Dp	Simplex				Duplex				Triplex			
			Part No.	d	D	H	Part No.	d	D	H	Part No.	d	D	H
38	239.0	230.69	6SR38C	100	23	56	6DR38C	110	29	63	6TR38C	140	30	70
45	282.5	273.10	6SR45C	100	23	56	6DR45C	110	29	63	6TR45C	140	30	70
57	354.0	345.81	6SR57C	100	29	56	6DR57C	120	29	63	6TR57C	140	39	70
76	469.9	460.99	6SR76C	100	29	56	6DR76C	135	29	63	6TR76C	160	39	75
95	585.1	576.17	6SR95C	100	29	65	6DR95C	135	29	70	6TR95C	170	39	82
114	700.6	691.36	6SR114C	100	29	65	6DR114C	135	29	70	6TR114C	170	49	82

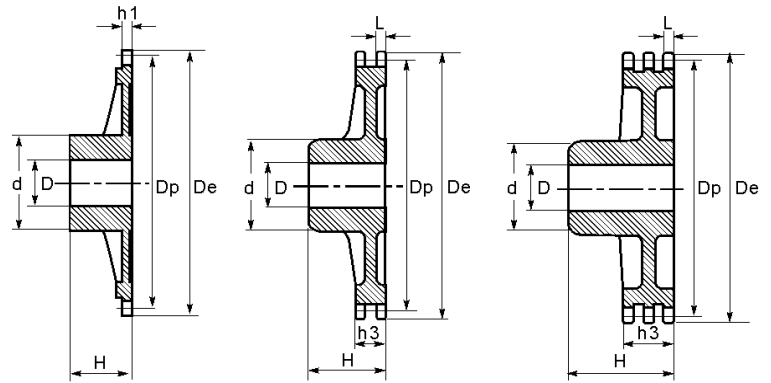


**16B Chain**  
1" x 17.02mm

Pitch : 25.4mm  
Internal width: 17.02mm  
Roller dia: 15.88mm

**Sprocket**

Tooth radius r: 26mm  
Radius width C: 2.5mm  
Tooth width h1: 16.2mm  
Tooth width L: 15.8mm  
Tooth width h2: 47.7mm  
Tooth width h3: 79.6mm



**16B-1 (8SR)**

**16B-2 (8DR)**

**16B-3 (8TR)**

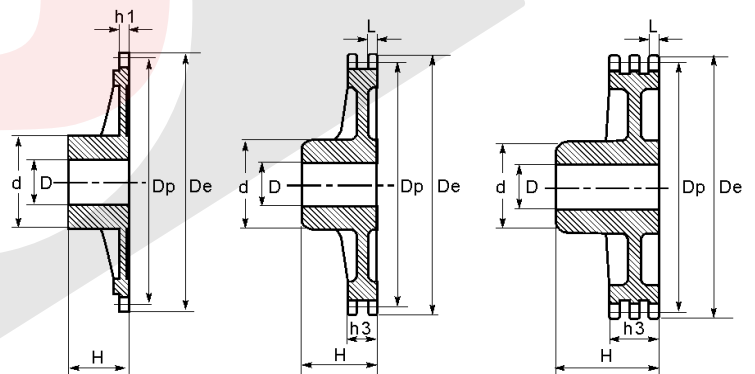
Teeth	De	Dp	Simplex			Duplex			Triplex					
			Part No.	d	D	H	Part No.	d	D	H	Part No.	d	D	H
30	254.0	243.00	8SR30C	110	29	65	8DR30C	125	39	75	8TR30C	145	39	90
38	320.0	307.59	8SR38C	110	29	65	8DR38C	140	39	75	8TR38C	160	44	100
45	377.0	364.12	8SR45C	125	29	70	8DR45C	150	39	75	8TR45C	160	44	100
57	474.0	461.07	8SR57C	125	34	70	8DR57C	170	39	90	8TR57C	165	44	100
76	627.0	614.65	8SR76C	140	34	80	8DR76C	175	39	95	8TR76C	200	44	110
95	781.0	768.22	8SR95C	140	39	80	8DR95C	175	44	95	8TR95C	200	49	110
114	933.0	921.81	8SR114C	140	39	80	8DR114C	175	44	95	8TR114C	200	49	115

**20B Chain**  
1-1/4" x 3/4"

Pitch : 31.75mm  
Internal width: 19.56mm  
Roller dia: 19.05mm

**Sprocket**

Tooth radius r: 32mm  
Radius width C: 3.5mm  
Tooth width h1: 18.5mm  
Tooth width L: 18.2mm  
Tooth width h2: 54.6mm  
Tooth width h3: 91mm



**20B-1 (10SR)**

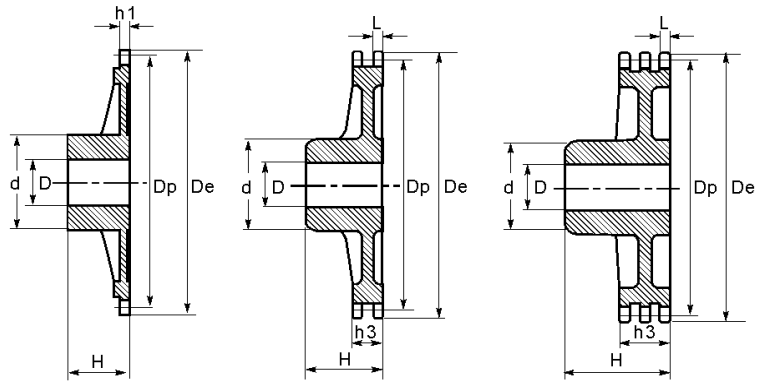
**20B-2 (10DR)**

**20B-3 (10TR)**

Teeth	De	Dp	Simplex			Duplex			Triplex					
			Part No.	d	D	H	Part No.	d	D	H	Part No.	d	D	H
30	318.9	303.75	10SR30C	115	35	70	10DR30C	130	40	80	10TR30C	160	50	100
38	399.6	384.49	10SR38C	125	35	70	10DR38C	140	44	90	10TR38C	180	56	110
45	470.3	455.17	10SR45C	125	35	70	10DR45C	140	44	90	10TR45C	180	56	110
57	591.5	576.36	10SR57C	135	40	80	10DR57C	160	50	100	10TR57C	180	60	125
76	783.5	768.32	10SR76C	140	40	80	10DR76C	180	50	100	10TR76C	200	60	140

**24B Chain** Pitch: 38.1mm  
**1-1/2" x 1"** Internal width: 25.4mm  
 Roller dia: 25.4mm

**Sprocket** Tooth radius r: 38mm  
 Radius width C: 4mm  
 Tooth width h1: 24.1mm  
 Tooth width L: 23.6mm  
 Tooth width h2: 72mm  
 Tooth width h3: 120.3mm



**24B-1 (12SR)**

**24B-2 (12DR)**

**24B-3 (12TR)**

Teeth	De	Dp	Simplex			Duplex			Triplex					
			Part No.	d	D	H	Part No.	d	D	H	Part No.	d	D	H
30	379.5	364.50	<b>12SR30C</b>	130	40	85	<b>12DR30C</b>	160	40	95	<b>12TR30C</b>	180	60	150
38	476.2	461.39	<b>12SR38C</b>	140	45	90	<b>12DR38C</b>	180	45	100	<b>12TR38C</b>	200	60	150
45	561.2	546.20	<b>12SR45C</b>	140	45	90	<b>12DR45C</b>	180	45	100	<b>12TR45C</b>	200	60	150
57	706.5	691.63	<b>12SR57C</b>	160	45	100	<b>12DR57C</b>	200	55	110	<b>12TR57C</b>	200	70	150
76	936.9	921.98	<b>12SR76C</b>	170	45	100	<b>12DR76C</b>	220	55	120				





**SPROCKETS**



**PRE-BORED SPROCKETS + KEY WAY & GRUB SCREWS**

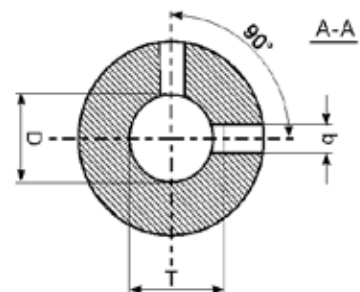
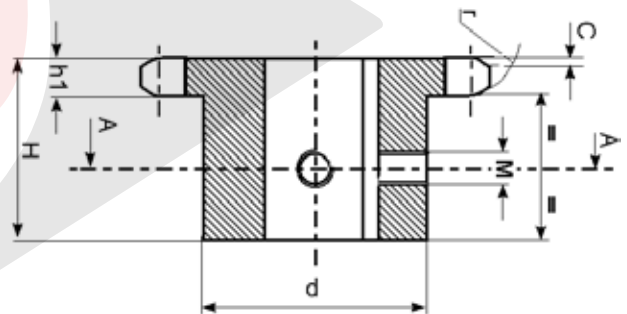
**Description**

Pre-bored sprockets are manufactured to internationally recognised standards DIN8187-ISO/R 606 and are produced from C45 steel UNI EN 10083-1 having a minimum strength of 600 N/mm<sup>2</sup>. They have induction hardened teeth to reduce tooth wear so extending the sprockets working life.

Conveniently held in stock in all popular metric bore sizes (dimension D), and corresponding key way that is located on the centre line of a tooth and 2 grub screws at 90° to each other for securing to a shaft. Available from stock to suit British standard roller chains from 06B (3/8" pitch) up to 16B (1" pitch) sizes in Simplex (single) row of teeth.

Key way dimensions according to bore diameter

D(H7)	B(H9)	T	M
10	4	D + 1,8 (+0,1 / 0)	M3
11	4	D + 1,8 (+0,1 / 0)	M3
12	4	D + 1,8 (+0,1 / 0)	M3
14	5	D + 2,3 (+0,1 / 0)	M4
16	5	D + 2,3 (+0,1 / 0)	M4
18	6	D + 2,8 (+0,1 / 0)	M5
19	6	D + 2,8 (+0,1 / 0)	M5
20	6	D + 2,8 (+0,1 / 0)	M5
22	6	D + 2,8 (+0,1 / 0)	M5
24	8	D + 3,3 (+0,2 / 0)	M6
25	8	D + 3,3 (+0,2 / 0)	M6
28	8	D + 3,3 (+0,2 / 0)	M6
30	8	D + 3,3 (+0,2 / 0)	M6
32	10	D + 3,3 (+0,2 / 0)	M8
35	10	D + 3,3 (+0,2 / 0)	M8
38	10	D + 3,3 (+0,2 / 0)	M8
40	12	D + 3,3 (+0,2 / 0)	M10
42	12	D + 3,3 (+0,2 / 0)	M10
45	14	D + 3,8 (+0,2 / 0)	M12
48	14	D + 3,8 (+0,2 / 0)	M12
50	14	D + 3,8 (+0,2 / 0)	M12
60	18	D + 4,4 (+0,2 / 0)	M12
65	18	D + 4,4 (+0,2 / 0)	M12
70	20	D + 4,4 (+0,2 / 0)	M12



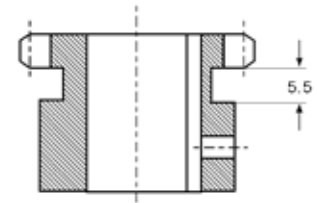
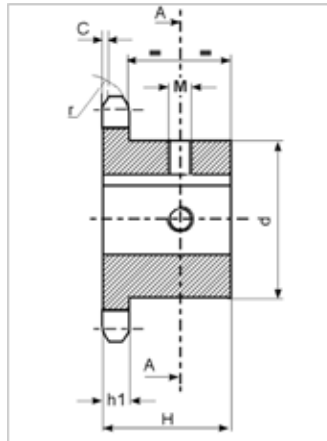
**06B Chain**  
**3/8" x 7/32"**

Pitch: 9.525mm  
Internal width: 5.72mm  
Roller dia: 6.35mm

**Sprocket**

Tooth radius r: 10mm  
Radius width C: 1mm  
Tooth width h1: 5.3mm  
Number of teeth: Z

With induction hardened teeth, key way is located on centre line of tooth



Version for size with \*

**06B-1 (3SR) BORE + KEY WAY & 2 GRUB SCREWS**

Part No.	Z	D	H	d
3SR10/10BK	10	10	22	24
3SR10/11BK		11		
3SR10/12BK		12		26
3SR10/14BK		14		29
3SR11/10BK	11	10	25	24
3SR11/12BK		12		26
3SR11/14BK		14		29*
3SR11/16BK		16		31*
3SR12/10BK	12	10	25	25
3SR12/12BK		12		26
3SR12/14BK		14		29
3SR12/16BK		16		31*
3SR13/10BK		13		10
3SR13/12BK	12			
3SR13/14BK	14			
3SR13/16BK	16		35	
3SR13/18BK	18			
3SR14/12BK	14		12	25
3SR14/14BK		14		
3SR14/16BK		16		
3SR14/18BK		18		
3SR14/19BK		19		
3SR15/12BK	15	12	25	34
3SR15/14BK		14		
3SR15/16BK		16		
3SR15/18BK		18		
3SR15/19BK		19		35
3SR15/20BK		20		36
3SR15/22BK		22		38
3SR15/24BK		24		42*
3SR15/25BK		25		
3SR16/12BK		16		12
3SR16/14BK	14			

Part No.	Z	D	H	d
3SR16/16BK	16	16	28	37
3SR16/18BK		18		
3SR16/19BK		19		
3SR16/20BK		20		
3SR16/22BK		22		28
3SR16/24BK		24		42
3SR16/25BK		25		
3SR17/12BK	17	12	28	40
3SR17/14BK		14		
3SR17/16BK		16		
3SR17/18BK		18		
3SR17/19BK		19		
3SR17/20BK		20		
3SR17/22BK		22		
3SR17/24BK		24		
3SR17/25BK		25		
3SR18/12BK	18	12	28	43
3SR18/14BK		14		
3SR18/16BK		16		
3SR18/18BK		18		
3SR18/19BK		19		
3SR18/20BK		20		
3SR18/22BK		22		
3SR18/24BK		24		
3SR18/25BK		25		
3SR19/12BK	19	12	28	45
3SR19/14BK		14		
3SR19/16BK		16		
3SR19/18BK		18		
3SR19/19BK		19		
3SR19/20BK		20		
3SR19/22BK		22		
3SR19/24BK		24		



**06B-1 (3SR) BORE + KEY WAY & 2 GRUB SCREWS continued**

Part No.	Z	D	H	d
3SR19/25BK	19	25	28	45
3SR20/12BK	20	12	28	46
3SR20/14BK		14		
3SR20/16BK		16		
3SR20/18BK		18		
3SR20/19BK		19		
3SR20/20BK		20		
3SR20/22BK		22		
3SR20/24BK		24		
3SR20/25BK		25		
3SR21/16BK		21		
3SR21/18BK	18			
3SR21/19BK	19			
3SR21/20BK	20			
3SR21/22BK	22			
3SR21/24BK	24			
3SR21/25BK	25			
3SR22/16BK	22		16	28
3SR22/18BK		18		
3SR22/19BK		19		
3SR22/20BK		20		
3SR22/22BK		22		
3SR22/24BK		24		
3SR22/25BK		25		

Part No.	Z	D	H	d
3SR23/16BK	23	16	28	52
3SR23/18BK		18		
3SR23/19BK		19		
3SR23/20BK		20		
3SR23/22BK		22		
3SR23/24BK		24		
3SR23/25BK		25		
3SR24/16BK		24		
3SR24/18BK	18			
3SR24/19BK	19			
3SR24/20BK	20			
3SR24/22BK	22			
3SR24/24BK	24			
3SR24/25BK	25	25	28	57
3SR25/16BK		16		
3SR25/18BK		18		
3SR25/19BK		19		
3SR25/20BK		20		
3SR25/22BK		22		
3SR25/24BK		24		
3SR25/25BK	25			

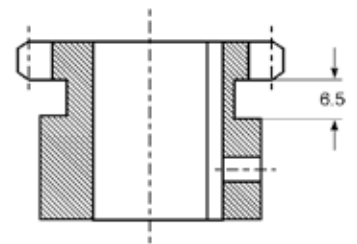
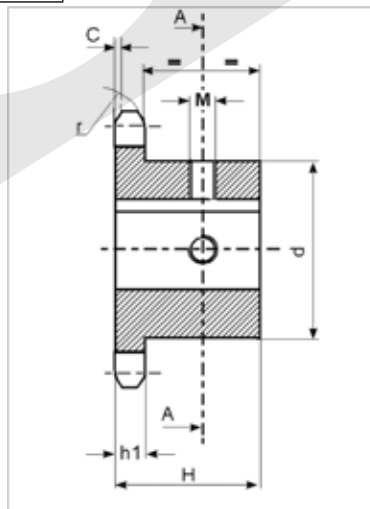
**08B Chain**  
**1/2" x 5/16"**

Pitch: 12.7mm  
Internal width : 7.8mm  
Roller dia: 8.5mm

**Sprocket**

Tooth radius r: 13mm  
Radius width C: 1.3mm  
Tooth width h1: 7.2mm  
Number of teeth: Z

With induction hardened teeth, key way is located on centre line of tooth



Version for size with \*

**08B-1 (4SR) BORE + KEY WAY & 2 GRUB SCREWS**

Part No.	Z	D	H	d
4SR10/12BK	10	12	25	26
4SR10/12BK		14		29
4SR10/12BK		16		31
4SR11/12BK	11	12	25	29
4SR11/14BK		14		

Part No.	Z	D	H	d
4SR11/16BK	11	16	25	31
4SR11/18BK		18		34
4SR11/19BK		19		35
4SR12/12BK	12	12	28	33
4SR12/14BK		14		

08B-1 (4SR) BORE + KEY WAY & 2 GRUB SCREWS continued

Part No.	Z	D	H	d
4SR12/16BK	12	16	28	33
4SR12/18BK		18		
4SR12/19BK		19		35
4SR12/20BK		20		36
4SR12/22BK		22		38
4SR12/24BK		24		41*
4SR12/25BK		25		42*
4SR13/12BK		13		12
4SR13/12BK	14			
4SR13/12BK	16			
4SR13/12BK	18			
4SR13/12BK	19			
4SR13/12BK	20			
4SR13/12BK	22			
4SR13/12BK	24		42	
4SR13/12BK	25			
4SR13/12BK	28		45*	
4SR14/12BK	14		12	28
4SR14/14BK		14		
4SR14/16BK		16		
4SR14/18BK		18		
4SR14/19BK		19		
4SR14/20BK		20		
4SR14/22BK		22		
4SR14/24BK		24		
4SR14/25BK		25		
4SR14/28BK		28	45	
4SR15/12BK		15	12	
4SR15/14BK	14			
4SR15/16BK	16			
4SR15/18BK	18			
4SR15/19BK	19			
4SR15/20BK	20			
4SR15/22BK	15		22	28
4SR15/24BK		24		
4SR15/25BK		25		
4SR15/28BK		28		
4SR15/30BK		30	47	
4SR15/32BK		32	49	
4SR16/16BK	16	16	28	50
4SR16/18BK		18		
4SR16/19BK		19		
4SR16/20BK		20		
4SR16/22BK		22		

Part No.	Z	D	H	d
4SR16/24BK	16	24	28	50
4SR16/25BK		25		
4SR16/28BK		28		
4SR16/30BK		30		
4SR16/32BK		32		53
4SR17/16BK		17		16
4SR17/18BK	18			
4SR17/19BK	19			
4SR17/20BK	20			
4SR17/22BK	22			
4SR17/24BK	24			
4SR17/25BK	25			
4SR17/28BK	28			
4SR17/30BK	30			
4SR17/32BK	32			
4SR18/16BK	18	16	28	56
4SR18/18BK		18		
4SR18/19BK		19		
4SR18/20BK		20		
4SR18/22BK		22		
4SR18/24BK		24		
4SR18/25BK		25		
4SR18/28BK		28		
4SR18/30BK		30		
4SR18/32BK		32		
4SR18/35BK		35		
4SR18/38BK	38			
4SR19/16BK	19	16	28	60
4SR19/18BK		18		
4SR19/19BK		19		
4SR19/20BK		20		
4SR19/22BK		22		
4SR19/24BK		24		
4SR19/25BK		25		
4SR19/28BK		28		
4SR19/30BK		30		
4SR19/32BK		32		
4SR19/35BK		35		
4SR19/38BK	38			
4SR20/16BK	20	16	28	64
4SR20/18BK		18		
4SR20/19BK		19		
4SR20/20BK		20		
4SR20/22BK		22		

**08B-1 (4SR) BORE + KEY WAY & 2 GRUB SCREWS continued**

Part No.	Z	D	H	d			
4SR20/24BK	20	24	28	64			
4SR20/25BK		25					
4SR20/28BK		28					
4SR20/30BK		30					
4SR20/32BK		32					
4SR20/35BK		35					
4SR20/38BK		38					
4SR21/16BK		21			16	28	68
4SR21/18BK	18						
4SR21/19BK	19						
4SR21/20BK	20						
4SR21/22BK	22						
4SR21/24BK	24						
4SR21/25BK	25						
4SR21/28BK	28						
4SR21/30BK	30						
4SR21/32BK	32						
4SR21/35BK	35						
4SR21/38BK	38						
4SR22/16BK	22		16	28	70		
4SR22/18BK			18				
4SR22/19BK		19					
4SR22/20BK		20					
4SR22/22BK		22					
4SR22/24BK		24					
4SR22/25BK		25					
4SR22/28BK		28					
4SR22/30BK		30					
4SR22/32BK		32					
4SR22/35BK		35					
4SR22/38BK		38					

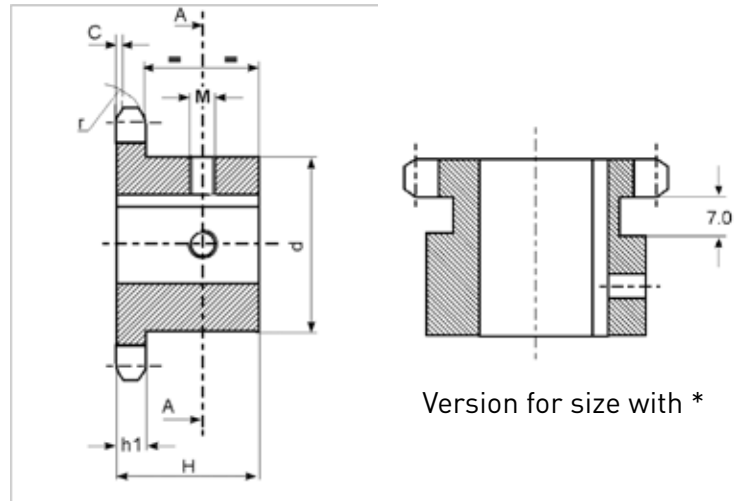
Part No.	Z	D	H	d
4SR23/19BK	23	19	28	70
4SR23/20BK		20		
4SR23/22BK		22		
4SR23/24BK		24		
4SR23/25BK		25		
4SR23/28BK		28		
4SR23/30BK		30		
4SR23/32BK		32		
4SR23/35BK	24	35	28	70
4SR23/38BK		38		
4SR24/19BK		19		
4SR24/20BK		20		
4SR24/22BK		22		
4SR24/24BK		24		
4SR24/25BK		25		
4SR24/28BK		28		
4SR24/30BK	25	30	28	70
4SR24/32BK		32		
4SR24/35BK		35		
4SR24/38BK		38		
4SR25/19BK		19		
4SR25/20BK		20		
4SR25/22BK		22		
4SR25/24BK		24		
4SR25/25BK	25	25	28	70
4SR25/28BK		28		
4SR25/30BK		30		
4SR25/32BK		32		
4SR25/35BK		35		
4SR25/38BK		38		



**10B Chain** Pitch: 15.875mm  
**5/8" x 3/8"** Internal width: 9.7mm  
 Roller dia: 10mm

**Sprocket** Tooth radius r: 16mm  
 Radius width C: 1.6mm  
 Tooth width h1: 9.1mm  
 Number of teeth: Z

With induction hardened teeth, key way is located on centre line of tooth



Version for size with \*

**10B-1 (5SR) BORE + KEY WAY & 2 GRUB SCREWS**

Part No.	Z	D	H	d			
5SR10/16BK	10	16	25	35			
5SR10/19BK		19					
5SR10/20BK		20					
5SR10/24BK		24					
5SR11/16BK	11	16	30	42*			
5SR11/18BK		18					
5SR11/19BK		19					
5SR11/20BK		20					
5SR11/24BK		24					
5SR11/25BK		25					
5SR11/28BK		28					
5SR12/16BK	11	16	30	42			
5SR12/18BK		18					
5SR12/19BK		19					
5SR12/20BK		20					
5SR12/22BK		22					
5SR12/24BK		24					
5SR12/25BK		25			44		
5SR12/28BK		28			47		
5SR12/30BK		30			49		
5SR12/32BK		32			51		
5SR13/16BK		13			16	30	47
5SR13/18BK					18		
5SR13/19BK					19		
5SR13/20BK	20						
5SR13/22BK	22						
5SR13/24BK	24						
5SR13/25BK	25						
5SR13/28BK	28						
5SR13/30BK	30		49				
5SR13/32BK	32		51				

Part No.	Z	D	H	d
5SR14/16BK	14	16	30	52
5SR14/18BK		18		
5SR14/19BK		19		
5SR14/20BK		20		
5SR14/22BK		22		
5SR14/24BK		24		
5SR14/25BK		25		
5SR14/28BK		28		
5SR14/30BK		30		
5SR14/32BK		32		
5SR15/19BK	16	19	30	60
5SR15/20BK		20		
5SR15/22BK		22		
5SR15/24BK		24		
5SR15/25BK		25		
5SR15/28BK		28		
5SR15/30BK		30		
5SR15/32BK		32		
5SR15/35BK		35		
5SR16/38BK		38		
5SR17/19BK	17	19	30	60
5SR17/20BK		20		
5SR17/22BK		22		
5SR17/24BK		24		
5SR17/25BK		25		
5SR17/28BK		28		
5SR17/30BK		30		
5SR17/32BK		32		
5SR17/35BK		35		
5SR17/38BK		38		
5SR18/19BK	18	19	30	70



10B-1 (5SR) BORE + KEY WAY & 2 GRUB SCREWS continued

Part No.	Z	D	H	d	Part No.	Z	D	H	d			
5SR18/20BK	18	20	30	70	5SR21/38BK	21	38	30	70			
5SR18/22BK		22			40							
5SR18/24BK		24			42							
5SR18/25BK		19			25	30	70	5SR22/19BK	22	19	30	80
5SR18/28BK					28			20				
5SR18/30BK					30			22				
5SR18/32BK					32			24				
5SR18/35BK					35			25				
5SR18/38BK					38			28				
5SR18/40BK					40			30				
5SR18/42BK					42			32				
5SR19/19BK					19			35				
5SR19/20BK					20			38				
5SR19/22BK	22	40										
5SR19/24BK	24	42										
5SR19/25BK	20	25	30	75	5SR22/28BK	23	28	30	80			
5SR19/28BK		28			19							
5SR19/30BK		30			20							
5SR19/32BK		32			22							
5SR19/35BK		35			24							
5SR19/38BK		38			25							
5SR19/40BK		40			28							
5SR19/42BK		42			30							
5SR20/19BK		19			32							
5SR20/20BK		20			35							
5SR20/22BK		22			38							
5SR20/24BK		24			40							
5SR20/25BK		25			42							
5SR20/28BK	28	35										
5SR20/30BK	30	38										
5SR20/32BK	32	40										
5SR20/35BK	35	42										
5SR20/38BK	38	19										
5SR20/40BK	40	20										
5SR20/42BK	42	22										
5SR21/19BK	21	19	30	75	5SR23/19BK	24	19	30	80			
5SR21/20BK		20			20							
5SR21/22BK		22			22							
5SR21/24BK		24			24							
5SR21/25BK		25			25							
5SR21/28BK		28			28							
5SR21/30BK		30			30							
5SR21/32BK		32			32							
5SR21/35BK		35			35							
5SR21/19BK		25			19		30			80	5SR24/19BK	25
5SR21/20BK					20	20						
5SR21/22BK					22	22						
5SR21/24BK					24	24						
5SR21/25BK	25		25									
5SR21/28BK	28		28									
5SR21/30BK	30		30									
5SR21/32BK	32		32									
5SR21/35BK	35		35									
5SR25/19BK	19		20									
5SR25/20BK	20	22										
5SR25/22BK	22	24										
5SR25/24BK	24	25										
5SR25/25BK	25	25										

**10B-1 (5SR) BORE + KEY WAY & 2 GRUB SCREWS continued**

Part No.	Z	D	H	d
5SR25/28BK	25	28	30	80
5SR25/30BK		30		
5SR25/32BK		32		
5SR25/35BK		35		

Part No.	Z	D	H	d
5SR25/38BK		38	30	80
5SR25/40BK		40		
5SR25/42BK		42		

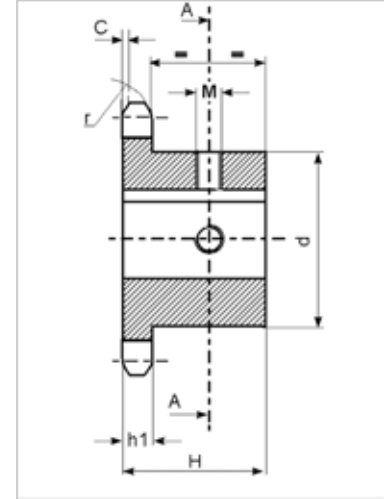
**10B Chain  
5/8" x 3/8"**

Pitch: 15.875mm  
Internal width: 9.7mm  
Roller dia: 10mm

With induction hardened teeth, key way is located on centre line of tooth

**Sprocket**

Tooth radius r: 16mm  
Radius width C: 1.6mm  
Tooth width h1: 9.1mm  
Number of teeth: Z



**12B-1 (6SR) BORE - KEY WAY & 2 GRUB SCREWS**

Part No.	Z	D	H	d			
6SR14/32BK	14	32	35	64			
6SR14/35BK		35					
6SR14/38BK		38					
6SR14/40BK		40			67		
6SR15/19BK	15	19	35	70			
6SR15/20BK		20					
6SR15/22BK		22					
6SR15/24BK		24					
6SR15/25BK		25					
6SR15/28BK		28					
6SR15/30BK		30					
6SR15/32BK		32					
6SR15/35BK		35					
6SR15/38BK		38					
6SR15/40BK		40					
6SR17/25BK		17			25	35	80
6SR17/28BK					28		
6SR17/30BK					30		
6SR17/32BK	32						
6SR17/35BK	35						
6SR17/38BK	38						
6SR17/40BK	40						
6SR17/42BK	42						
6SR18/25BK	18	25	35	80			
6SR18/28BK		28					
6SR18/30BK		30					

Part No.	Z	D	H	d
6SR18/32BK	18	32	35	80
6SR18/35BK		35		
6SR18/38BK		38		
6SR18/40BK		40		
6SR18/42BK		42		
6SR19/25BK	19	25	35	80
6SR19/28BK		28		
6SR19/30BK		30		
6SR19/32BK		32		
6SR19/35BK		35		
6SR19/38BK		38		
6SR19/40BK		40		
6SR19/42BK		42		
6SR19/45BK		45		
6SR19/48BK		48		
6SR19/50BK	50			
6SR20/25BK	20	25	35	80
6SR20/28BK		28		
6SR20/30BK		30		
6SR20/32BK		32		
6SR20/35BK		35		
6SR20/38BK		38		
6SR20/40BK		40		
6SR20/42BK		42		
6SR20/45BK	45			
6SR20/48BK	48			

**12B-1 (6SR) BORE - KEY WAY & 2 GRUB SCREWS continued**

Part No.	Z	D	H	d			
6SR20/50BK	20	50	35	80			
6SR21/25BK	21	25	40	90			
6SR21/28BK		28					
6SR21/30BK		30					
6SR21/32BK		32					
6SR21/35BK		35					
6SR21/38BK		38					
6SR21/40BK		40					
6SR21/42BK		42					
6SR21/45BK		45					
6SR21/48BK		48					
6SR21/50BK		50					
6SR22/25BK		22			25	40	90
6SR22/28BK					28		
6SR22/30BK					30		
6SR22/32BK	32						
6SR22/35BK	35						
6SR22/38BK	38						
6SR22/40BK	40						
6SR22/42BK	42						
6SR22/45BK	45						
6SR22/48BK	48						
6SR22/50BK	50						
6SR23/25BK	23		25	40	90		
6SR23/28BK			28				
6SR23/30BK			30				
6SR23/32BK		32					
6SR23/35BK		35					

Part No.	Z	D	H	d
6SR23/38BK	23	38	40	90
6SR23/40BK		40		
6SR23/42BK		42		
6SR23/45BK		45		
6SR23/48BK		48		
6SR23/50BK		50		
6SR24/25BK		24		
6SR24/28BK	28			
6SR24/30BK	30			
6SR24/32BK	32			
6SR24/35BK	35			
6SR24/38BK	38			
6SR24/40BK	40			
6SR24/42BK	42			
6SR24/45BK	45			
6SR24/48BK	48			
6SR24/50BK	50			
6SR25/25BK	25	25	40	90
6SR25/28BK		28		
6SR25/30BK		30		
6SR25/32BK		32		
6SR25/35BK		35		
6SR25/38BK		38		
6SR25/40BK		40		
6SR25/42BK		42		
6SR25/45BK		45		
6SR25/48BK		48		
6SR25/50BK	50			

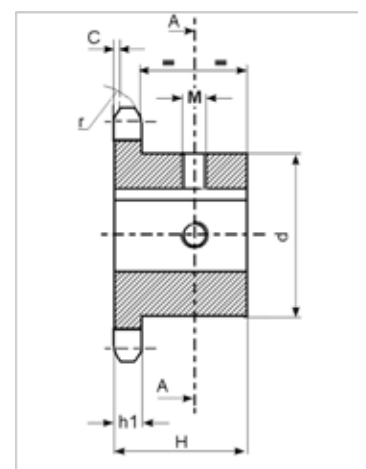
**16B Chain**  
1" x 17.02mm

Pitch : 25.4mm  
Internal width :17.02mm  
Roller dia: 15.88mm

**Sprocket**

Tooth radius r: 26mm  
Radius width C: 2.5mm  
Tooth width h1: 16.2mm  
Number of teeth: Z

With induction hardened teeth, key way is located on centre line of tooth



**16B-1 (8SR) BORE - KEY WAY & 2 GRUB SCREWS**

Part No.	Z	D	H	d
8SR11/25BK	11	25	40	61
8SR11/28BK		28		

Part No.	Z	D	H	d
8SR11/30BK	11	30	40	61
8SR11/32BK		32		

16B-1 (8SR) BORE - KEY WAY & 2 GRUB SCREWS continued

Part No.	Z	D	H	d
8SR11/35BK	11	35	40	61
8SR11/38BK		38		65
8SR11/40BK		40		67
8SR11/42BK		42		69
8SR12/25BK	12	25	40	69
8SR12/28BK		28		
8SR12/30BK		30		
8SR12/32BK		32		
8SR12/35BK		35		
8SR12/38BK		38		
8SR12/40BK		40		
8SR12/42BK		42		
8SR13/25BK	13	25	40	78
8SR13/28BK		28		
8SR13/30BK		30		
8SR13/32BK		32		
8SR13/35BK		35		
8SR13/38BK		38		
8SR13/40BK		40		
8SR13/42BK		42		
8SR13/45BK		45		
8SR13/48BK		48		
8SR13/50BK		50		
8SR14/25BK		14		25
8SR14/28BK	28			
8SR14/30BK	30			
8SR14/32BK	32			
8SR14/35BK	35			
8SR14/38BK	38			
8SR14/40BK	40			
8SR14/42BK	42			
8SR14/45BK	45			
8SR14/48BK	48			
8SR14/50BK	50			
8SR15/25BK	15	25	40	92
8SR15/28BK		28		
8SR15/30BK		30		
8SR15/32BK		32		
8SR15/35BK		35		
8SR15/38BK		38		
8SR15/40BK		40		
8SR15/42BK		42		
8SR15/45BK		45		
8SR15/48BK		48		
8SR15/50BK		50		

Part No.	Z	D	H	d
8SR16/25BK	16	25	45	100
8SR16/28BK		28		
8SR16/30BK		30		
8SR16/32BK		32		
8SR16/35BK		35		
8SR16/38BK		38		
8SR16/40BK		40		
8SR16/42BK		42		
8SR16/45BK		45		
8SR16/48BK		48		
8SR16/50BK	50			
8SR17/25BK	17	25	45	100
8SR17/28BK		28		
8SR17/30BK		30		
8SR17/32BK		32		
8SR17/35BK		35		
8SR17/38BK		38		
8SR17/40BK		40		
8SR17/42BK		42		
8SR17/45BK	45			
8SR17/48BK	48			
8SR17/50BK	50			
8SR18/25BK	18	25	45	100
8SR18/28BK		28		
8SR18/30BK		30		
8SR18/32BK		32		
8SR18/35BK		35		
8SR18/38BK		38		
8SR18/40BK		40		
8SR18/42BK		42		
8SR18/45BK		45		
8SR18/48BK		48		
8SR18/50BK	50			
8SR19/25BK	19	25	45	100
8SR19/28BK		28		
8SR19/30BK		30		
8SR19/32BK		32		
8SR19/35BK		35		
8SR19/38BK		38		
8SR19/40BK		40		
8SR19/42BK		42		
8SR19/45BK	45			
8SR19/48BK	48			
8SR19/50BK	50			
8SR20/25BK	20	25	45	100

16B-1 (8SR) BORE - KEY WAY & 2 GRUB SCREWS continued

Part No.	Z	D	H	d
8SR20/28BK	20	28	45	100
8SR20/30BK		30		
8SR20/32BK		32		
8SR20/35BK		35		
8SR20/38BK		38		
8SR20/40BK		40		
8SR20/42BK		42		
8SR20/45BK		45		
8SR20/48BK		48		
8SR20/50BK		50		
8SR21/25BK	21	25	50	110
8SR21/28BK		28		
8SR21/30BK		30		
8SR21/32BK		32		
8SR21/35BK		35		
8SR21/38BK		38		
8SR21/40BK		40		
8SR21/42BK		42		
8SR21/45BK		45		
8SR21/48BK		48		
8SR21/50BK	50			
8SR22/25BK	22	25	50	110
8SR22/28BK		28		
8SR22/30BK		30		
8SR22/32BK		32		
8SR22/35BK		35		
8SR22/38BK		38		
8SR22/40BK		40		
8SR22/42BK		42		
8SR22/45BK		45		
8SR22/48BK		48		
8SR22/50BK	50			
8SR23/25BK	23	25	50	110

Part No.	Z	D	H	d
8SR23/28BK	23	28	50	110
8SR23/30BK		30		
8SR23/32BK		32		
8SR23/35BK		35		
8SR23/38BK		38		
8SR23/40BK		40		
8SR23/42BK		42		
8SR23/45BK		45		
8SR23/48BK		48		
8SR23/50BK		50		
8SR24/25BK	24	25	50	110
8SR24/28BK		28		
8SR24/30BK		30		
8SR24/32BK		32		
8SR24/35BK		35		
8SR24/38BK		38		
8SR24/40BK		40		
8SR24/42BK		42		
8SR24/45BK		45		
8SR24/48BK		48		
8SR24/50BK	50			
8SR25/25BK	25	25	50	110
8SR25/28BK		28		
8SR25/30BK		30		
8SR25/32BK		32		
8SR25/35BK		35		
8SR25/38BK		38		
8SR25/40BK		40		
8SR25/42BK		42		
8SR25/45BK		45		
8SR25/48BK		48		
8SR25/50BK	50			





**SPROCKETS**

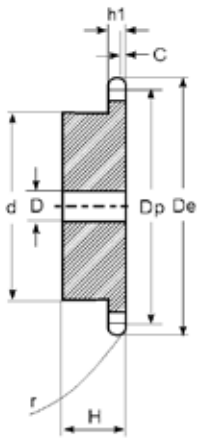


**PILOT BORE SPROCKETS - STAINLESS STEEL**

**Description**

Stainless Steel pilot bore sprockets are manufactured to internationally recognised standards DIN8187-ISO/R 606 and are produced from 304L stainless steel.

Conveniently stocked with a minimum pilot bore (dimension 'D') they can be machined to suit any suitable mounting requirement. Available from stock to suit British standard roller chains from 06B (3/8" pitch) up to 16B (1" pitch) sizes in Simplex (single) row of teeth.

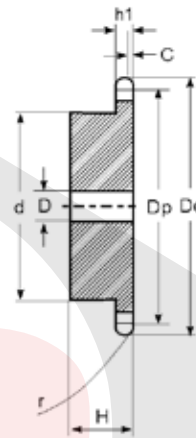


**06B Chain**  
**3/8" x 7/32"**

Pitch: 9.525mm  
Internal width: 5.72mm  
Roller dia: 6.35mm

**Sprocket**

Tooth radius: 10mm  
Radius width C: 1mm  
Tooth width h1: 5.3mm



**08B Chain**  
**1/2" x 5/16"**

Pitch: 12.7mm  
Internal width: 7.75mm  
Roller dia: 8.51mm

**Sprocket**

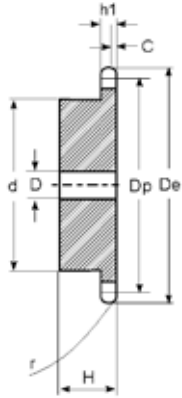
Tooth radius r: 13mm  
Radius width C: 1.3mm  
Tooth width h1: 7.2mm

**06B-1 (3SR) SS**

Teeth	De	Dp	Part No.	d	D	H
12	40.00	36.80	3SR12-SS	25	8	25
13	43.00	39.80	3SR13-SS	28	10	25
14	46.30	42.80	3SR14-SS	31	10	25
15	49.30	45.81	3SR15-SS	34	10	25
16	52.30	48.82	3SR16-SS	37	10	28
17	55.30	51.83	3SR17-SS	40	10	28
18	58.30	54.85	3SR18-SS	43	10	28
19	61.30	57.87	3SR19-SS	45	10	28
20	64.30	60.89	3SR20-SS	46	10	28
21	68.00	63.91	3SR21-SS	48	12	28
22	71.00	66.93	3SR22-SS	50	12	28
23	73.50	69.95	3SR23-SS	52	12	28
24	77.00	72.97	3SR24-SS	54	12	28
25	80.00	76.00	3SR25-SS	57	12	28
26	83.00	79.02	3SR26-SS	60	12	28
27	86.00	82.04	3SR27-SS	60	12	28
28	89.00	85.07	3SR28-SS	60	12	28
29	92.00	88.09	3SR29-SS	60	12	28
30	94.70	91.12	3SR30-SS	60	12	28

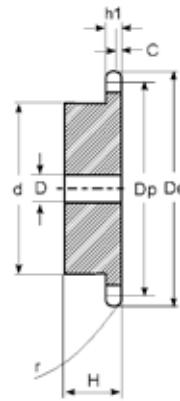
**08B-1 (4SR) SS**

Teeth	De	Dp	Part No.	d	D	H
12	53.00	49.07	4SR12-SS	33	10	25
13	57.40	53.06	4SR13-SS	37	10	25
14	61.80	57.07	4SR14-SS	41	10	25
15	65.50	61.09	4SR15-SS	45	10	25
16	69.50	65.10	4SR16-SS	50	12	28
17	73.60	69.11	4SR17-SS	52	12	28
18	77.80	73.14	4SR18-SS	56	12	28
19	81.70	77.16	4SR19-SS	60	12	28
20	85.80	81.19	4SR20-SS	64	12	28
21	89.70	85.22	4SR21-SS	68	12	28
22	93.80	89.24	4SR22-SS	70	12	28
23	98.20	93.27	4SR23-SS	70	14	28
24	101.80	97.29	4SR24-SS	70	14	28
25	105.80	101.33	4SR25-SS	70	14	28
26	110.00	105.36	4SR26-SS	70	16	28
27	114.00	109.40	4SR27-SS	70	16	28
28	118.00	113.42	4SR28-SS	70	16	28
29	122.00	117.46	4SR29-SS	80	16	28
30	126.10	121.50	4SR30-SS	80	16	28



**10B Chain** Pitch: 15.875mm  
**5/8" x 3/8"** Internal width: 9.65mm  
 Roller dia: 10.16mm

**Sprocket** Tooth radius r: 16mm  
 Radius width C: 1.6mm  
 Tooth width h1: 9.1mm



**12B Chain** Pitch: 19.05mm  
**3/4" x 7/16"** Internal width: 11.68mm  
 Roller dia: 12.07mm

**Sprocket** Tooth radius r: 19mm  
 Radius width C: 2mm  
 Tooth width h1: 11.1mm

**10B-1 (5SR) SS**

Teeth	De	Dp	Part No.	d	D	H
12	68.00	61.34	5SR12-SS	42	12	30
13	73.00	66.32	5SR13-SS	47	12	30
14	78.00	71.34	5SR14-SS	52	12	30
15	83.00	76.36	5SR15-SS	57	12	30
16	88.00	81.37	5SR16-SS	60	12	30
17	93.00	86.39	5SR17-SS	60	12	30
18	98.30	91.42	5SR18-SS	70	14	30
19	103.30	96.45	5SR19-SS	70	14	30
20	108.40	101.49	5SR20-SS	75	14	30
21	113.40	106.52	5SR21-SS	75	16	30
22	118.00	111.55	5SR22-SS	80	16	30
23	123.40	116.58	5SR23-SS	80	16	30
24	128.30	121.62	5SR24-SS	80	16	30
25	134.00	126.66	5SR25-SS	80	16	30
26	139.00	131.70	5SR26-SS	85	20	35
27	144.00	136.75	5SR27-SS	85	20	35
28	148.70	141.78	5SR28-SS	90	20	35
29	153.80	146.83	5SR29-SS	90	20	35
30	158.80	151.87	5SR30-SS	90	20	35

**12B-1 (6SR) SS**

Teeth	De	Dp	Part No.	d	D	H
12	81.5	73.6	6SR12-SS	52	14	35
13	87.5	79.6	6SR13-SS	58	14	35
14	93.6	85.6	6SR14-SS	64	14	35
15	99.8	91.6	6SR15-SS	70	14	35
16	105.5	97.7	6SR16-SS	75	16	35
17	111.5	103.7	6SR17-SS	80	16	35
18	118.0	109.7	6SR18-SS	80	16	35
19	124.2	115.8	6SR19-SS	80	16	35
20	129.7	121.8	6SR20-SS	80	16	35
21	136.0	127.8	6SR21-SS	90	20	40
22	141.8	133.9	6SR22-SS	90	20	40
23	149.0	139.9	6SR23-SS	90	20	40
24	153.9	145.9	6SR24-SS	90	20	40
25	160.0	152.0	6SR25-SS	90	20	40
26	165.9	158.0	6SR26-SS	95	20	40
27	172.3	164.1	6SR27-SS	95	20	40
28	178.0	170.1	6SR28-SS	95	20	40
29	184.1	176.2	6SR29-SS	95	20	40
30	190.5	182.3	6SR30-SS	95	20	40

**16B-1 (8SR) SS**

**16B Chain** Pitch : 25.4mm  
**1" x 17.02mm** Internal width: 17.02mm  
 Roller dia: 15.88mm

**Sprocket** Tooth radius r: 26mm  
 Radius width C: 2.5mm  
 Tooth width h1: 16.2mm

Teeth	De	Dp	Part No.	d	D	H
8	77.00	66.37	8SR08-SS	42	16	35
9	85.00	74.27	8SR09-SS	50	16	35
10	93.00	82.19	8SR10-SS	55	16	35
11	99.50	90.14	8SR11-SS	61	16	40
12	109.00	98.14	8SR12-SS	69	16	40
13	117.00	106.12	8SR13-SS	78	16	40
14	125.00	114.15	8SR14-SS	84	16	40
15	133.00	122.17	8SR15-SS	92	16	40
16	141.00	130.20	8SR16-SS	100	20	45
17	149.00	138.22	8SR17-SS	100	20	45
18	157.00	146.28	8SR18-SS	100	20	45
19	165.20	154.33	8SR19-SS	100	20	45

Teeth	De	Dp	Part No.	d	D	H
19	165.20	154.33	8SR19-SS	100	20	45
20	173.20	162.38	8SR20-SS	100	20	45
21	181.20	170.43	8SR21-SS	110	20	50
22	189.30	178.48	8SR22-SS	110	20	50
23	197.50	186.53	8SR23-SS	110	20	50
24	205.50	194.59	8SR24-SS	110	20	50
25	213.50	202.66	8SR25-SS	110	20	50
26	221.60	210.72	8SR26-SS	120	20	50
27	229.60	218.79	8SR27-SS	120	20	50
28	237.70	226.85	8SR28-SS	120	20	50
29	245.80	234.92	8SR29-SS	120	20	50
30	254.00	243.00	8SR30-SS	120	20	50



**ROLLER CHAIN & SPROCKETS**

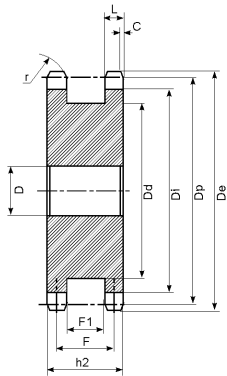


**DOUBLE SIMPLEX PILOT BORE SPROCKETS - STEEL**

**Description**

Double simplex pilot bore sprockets are manufactured to internationally recognised standards DIN8187-ISO/R 606 and are produced from C45 steel UNI EN 10083-1 having a minimum strength of 600 N/mm<sup>2</sup>.

Conveniently stocked with a minimum pilot bore (dimension 'D') they can be machined to suit any suitable mounting requirement. Available from stock to suit British standard roller chains from 06B (3/8" pitch) up to 16B (1" pitch) sizes for 2 Simplex (single) chains to run in opposite directions at the same time.

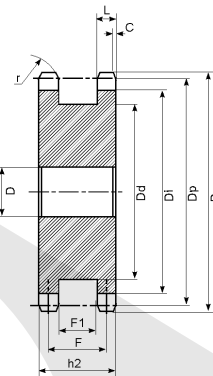


**06B Chain**  
**3/8" x 7/32"**

Pitch: 9.525mm  
Internal width: 5.72mm  
Roller dia: 6.35mm

**Sprocket**

Tooth radius: 10mm  
Radius width C: 1mm  
Tooth width L: 5.3mm



**08B Chain**  
**1/2" x 5/16"**

Pitch: 12.7mm  
Internal width: 7.75mm  
Roller dia: 8.51mm

**Sprocket**

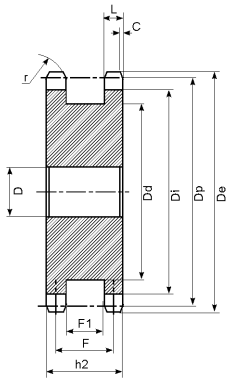
Tooth radius r: 13mm  
Radius width C: 1.3mm  
Tooth width L: 7.2mm

**06B-1 (3SR) DS**

Teeth	De	Dp	Part No.	F	F1	D	Db	h2
13	43.00	39.80	<b>3SR13-DS</b>	19	13.7	10	28	24.3
15	49.30	45.81	<b>3SR15-DS</b>	19	13.7	10	34	24.3
17	55.30	51.83	<b>3SR17-DS</b>	19	13.7	10	40	24.3
18	58.30	54.85	<b>3SR18-DS</b>	19	13.7	10	43	24.3
19	61.30	57.87	<b>3SR19-DS</b>	19	13.7	10	46	24.3
20	64.30	60.89	<b>3SR20-DS</b>	19	13.7	10	49	24.3
21	68.00	63.91	<b>3SR21-DS</b>	19	13.7	12	52	24.3
23	73.50	69.95	<b>3SR23-DS</b>	19	13.7	12	59	24.3
25	80.00	76.00	<b>3SR25-DS</b>	19	13.7	12	65	24.3

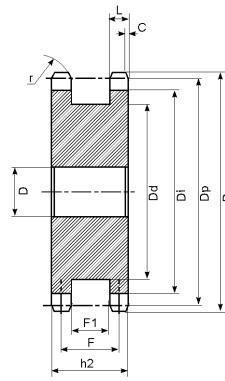
**08B-1 (4SR) DS**

Teeth	De	Dp	Part No.	F	F1	D	Db	h2
13	57.40	53.06	<b>4SR13-DS</b>	23.8	16.6	10	37	31
15	65.50	61.09	<b>4SR15-DS</b>	23.8	16.6	10	45	31
17	73.60	69.11	<b>4SR17-DS</b>	23.8	16.6	12	53	31
18	77.80	73.14	<b>4SR18-DS</b>	23.8	16.6	12	57	31
19	81.70	77.16	<b>4SR19-DS</b>	23.8	16.6	12	62	31
20	85.80	81.19	<b>4SR20-DS</b>	23.8	16.6	12	66	31
21	89.70	85.22	<b>4SR21-DS</b>	23.8	16.6	14	70	31
23	98.20	93.27	<b>4SR23-DS</b>	23.8	16.6	14	78	31
25	105.80	101.33	<b>4SR25-DS</b>	23.8	16.6	14	86	31



**10B Chain**  
**5/8" x 3/8"**

Pitch: 15.875mm  
Internal width: 9.65mm  
Roller dia: 10.16mm  
**Sprocket** Tooth radius r: 16mm  
Radius width C: 1.6mm  
Tooth width L: 9.1mm



**12B Chain**  
**3/4" x 7/16"**

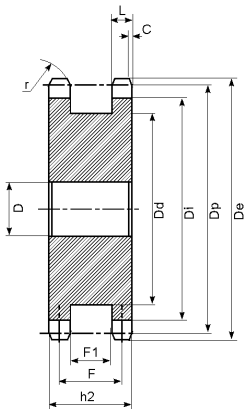
Pitch: 19.05mm  
Internal width: 11.68mm  
Roller dia: 12.07mm  
**Sprocket** Tooth radius r: 19mm  
Radius width C: 2mm  
Tooth width L: 11.1mm

**10B-1 (5SR) DS**

Teeth	De	Dp	Part No.	F	F1	D	Db	h2
13	73.00	66.32	5SR13-DS	27.3	18.1	12	50	36.5
15	83.00	76.36	5SR15-DS	27.3	18.1	12	60	36.5
17	93.00	86.39	5SR17-DS	27.3	18.1	14	70	36.5
18	98.30	91.42	5SR18-DS	27.3	18.1	14	75	36.5
19	103.30	96.45	5SR19-DS	27.3	18.1	14	80	36.5
20	108.40	101.49	5SR20-DS	27.3	18.1	14	85	36.5
21	113.40	106.52	5SR21-DS	27.3	18.1	16	90	36.5
23	123.40	116.58	5SR23-DS	27.3	18.1	16	100	36.5
25	134.00	126.66	5SR25-DS	27.3	18.1	16	110	36.5

**12B-1 (6SR) DS**

Teeth	De	Dp	Part No.	F	F1	D	Db	h2
13	87.5	79.6	6SR13-DS	33.9	22.8	14	59	45
15	99.8	91.6	6SR15-DS	33.9	22.8	14	71	45
17	111.5	103.7	6SR17-DS	33.9	22.8	16	83	45
18	118.0	109.7	6SR18-DS	33.9	22.8	16	89	45
19	124.2	115.8	6SR19-DS	33.9	22.8	16	95	45
20	129.7	121.8	6SR20-DS	33.9	22.8	16	101	45
21	136.0	127.8	6SR21-DS	33.9	22.8	20	107	45
23	149.0	139.9	6SR23-DS	33.9	22.8	20	119	45
25	160.0	152.0	6SR25-DS	33.9	22.8	20	131	45



**16B Chain**  
**1" x 17.02mm**

Pitch: 25.4mm  
Internal width: 17.02mm  
Roller dia: 15.88mm  
**Sprocket** Tooth radius r: 26mm  
Radius width C: 2.5mm  
Tooth width L: 16.2mm

**16B-1 (8SR) DS**

Teeth	De	Dp	Part No.	F	F1	D	Db	h2
13	117.00	106.12	8SR13-DS	47.3	31.1	16	81	63.5
15	133.00	122.17	8SR15-DS	47.3	31.1	16	97	63.5
17	149.00	138.22	8SR17-DS	47.3	31.1	20	113	63.5
18	157.00	146.28	8SR18-DS	47.3	31.1	20	121	63.5
19	165.20	154.33	8SR19-DS	47.3	31.1	20	129	63.5
20	173.20	162.38	8SR20-DS	47.3	31.1	20	137	63.5
21	181.20	170.43	8SR21-DS	47.3	31.1	20	145	63.5
23	197.50	186.53	8SR23-DS	47.3	31.1	20	161	63.5
25	213.50	202.66	8SR25-DS	47.3	31.1	20	177	63.5





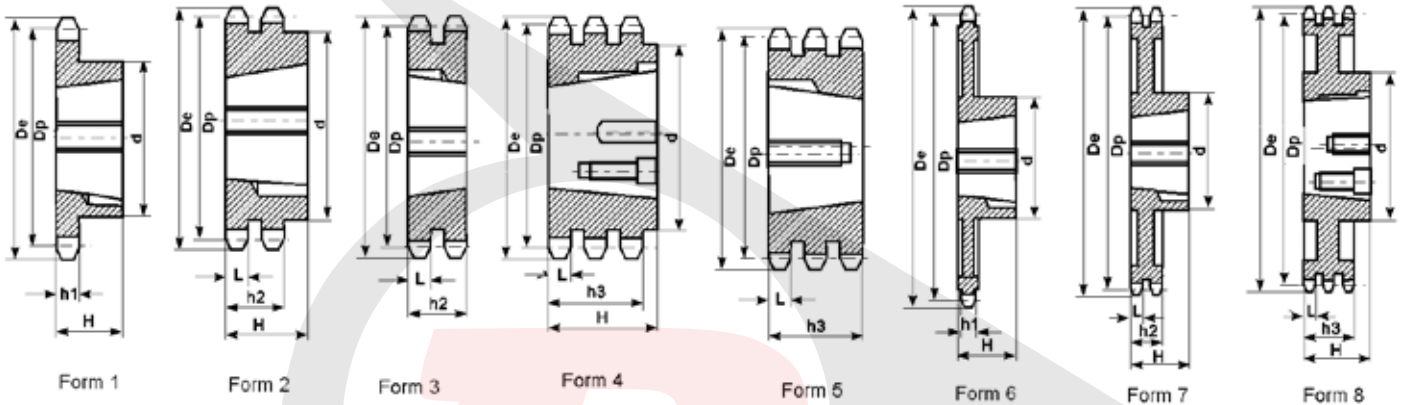
**ROLLER CHAIN & SPROCKETS**



**TAPER BORE SPROCKETS - STEEL & CAST IRON**

**Description**

Taper bore sprockets are manufactured to internationally recognised standards DIN8187-ISO/R 606 and are produced from C45 steel UNI EN 10083-1 having a minimum strength of 600 N/mm<sup>2</sup> and GG22 EN-GJL-200 UNI 1561 cast iron. They have a black phosphated finish to increase corrosion resistance so extending the sprockets working life. Conveniently stocked with a taper bore to suit a standard taper bush that are pre-bored to suit both metric & imperial bore and key way sizes. Available from stock to suit British standard roller chains from 06B (3/8" pitch) up to 20B (1-1/4" pitch) sizes in Simplex (single), Duplex (double) & Triplex (treble) rows of teeth.



**06B Chain**  
**3/8" x 7/32"**

Pitch: 9.525mm  
Internal width: 5.72mm  
Roller dia: 6.35mm

**Sprocket**

Tooth radius: 10mm  
Radius width C: 1mm  
Tooth width h1: 5.3mm  
Tooth width :L 5.2mm  
Tooth width h2: 15.4mm  
Tooth width h3: 25.6mm

**06B-1 (31-)**

**06B-1 (32-)**

**06B-1 (33-)**

Teeth	De	Dp	Simplex					Duplex					Triplex				
			Part No.	d	Bush	H	Form	Part No.	d	Bush	H	Form	Part No.	d	Bush	H	Form
17	55.30	51.83	<b>31-17</b>	45	1008	22	1	<b>32-17</b>	41	1008	22	2	<b>33-17</b>	-	1008	25,6	5
18	58.30	54.85	<b>31-18</b>	45	1008	22	1	<b>32-18</b>	43	1008	22	2	<b>33-18</b>	-	1008	-	-
19	61.30	57.87	<b>31-19</b>	45	1008	22	1	<b>32-19</b>	46	1008	22	2	<b>33-19</b>	-	1008	25,6	5
20	64.30	60.89	<b>31-20</b>	46	1008	22	1	<b>32-20</b>	48	1008	22	2	<b>33-20</b>	-	1008	-	-
21	68.00	63.91	<b>31-21</b>	46	1008	22	1	<b>32-21</b>	49	1008	22	2	<b>33-21</b>	-	1008	25,6	5
22	71.00	66.93	<b>31-22</b>	50	1108	22	1	<b>32-22</b>	52	1108	22	2	<b>33-22</b>	-	-	-	-
23	73.50	69.95	<b>31-23</b>	63	1210	25	1	<b>32-23</b>	59	1210	25	2	<b>33-23</b>	-	1210	25,6	5
24	77.00	72.97	<b>31-24</b>	63	1210	25	1	<b>32-24</b>	61	1210	25	2	<b>33-24</b>	-	-	-	-
25	80.00	76.02	<b>31-25</b>	63	1210	25	1	<b>32-25</b>	64	1210	25	2	<b>33-25</b>	-	1210	25,6	5
26	83.00	79.02	<b>31-26</b>	63	1210	25	1	<b>32-26</b>	65	1210	25	2	<b>33-26</b>	-	-	-	-
27	86.00	82.02	<b>31-27</b>	63	1210	25	1	<b>32-27</b>	70	1210	25	2	<b>33-27</b>	-	1210	25,6	5
28	89.00	85.07	<b>31-28</b>	63	1210	25	1	<b>32-28</b>	70	1210	25	2	<b>33-28</b>	-	-	-	-
30	94.70	91.12	<b>31-30</b>	63	1210	25	1	<b>32-30</b>	75	1210	25	2	<b>33-30</b>	79	1615	38	4
38	119.50	115.35	<b>31-38</b>	70	1210	25	1	<b>32-38</b>	80	1610	25	2	<b>33-38</b>	90	1615	38	4



06B-1 (31-) continued

06B-1 (32-) continued

06B-1 (33-) continued

Teeth	De	Dp	Simplex					Duplex					Triplex				
			Part No.	d	Bush	H	Form	Part No.	d	Bush	H	Form	Part No.	d	Bush	H	Form
*45	140.70	136.55	<b>31-45</b>	70	1210	25	1 or 6	<b>32-45</b>	80	1610	25	2 or 7	<b>33-45</b>	-	-	-	-
*57	176.90	172.91	<b>31-57</b>	70	1210	25	1 or 6	<b>32-57</b>	80	1610	25	2 or 7	<b>33-57</b>	-	-	-	-
*76	234.90	230.49	<b>31-76</b>	70	1210	25	1 or 6	<b>32-76</b>	80	1610	25	2 or 7	<b>33-76</b>	-	-	-	-
*95	292.50	288.08	<b>31-95</b>	80	1210	25	1 or 6	<b>32-95</b>	90	1610	25	2 or 7	<b>33-95</b>	-	-	-	-
*114	349.50	345.68	<b>31-114</b>	80	1215	38	1 or 6	<b>32-114</b>	95	1615	38	2 or 7	<b>33-114</b>	-	-	-	-

**08B Chain**  
1/2" x 5/16"

Pitch: 12.7mm  
Internal width: 7.75mm  
Roller dia: 8.51mm

**Sprocket**

Tooth radius r: 13mm  
Radius width C: 1.3mm  
Tooth width h1: 7.2mm  
Tooth width L: 7mm  
Tooth width h2: 21mm  
Tooth width h3: 34.9mm

08B-1 (41-)

08B-2 (42-)

08B-3 (43-)

Teeth	De	Dp	Simplex					Duplex					Triplex				
			Part No.	d	Bush	H	Form	Part No.	d	Bush	H	Form	Part No.	d	Bush	H	Form
15	65.50	61.90	<b>41-15</b>	45	1008	22	1	<b>42-15</b>	46	1008	22	2	<b>43-15</b>	-	1008	34.9	5
16	69.50	65.10	<b>41-16</b>	50	1108	22	1	<b>42-16</b>	50	1108	22	2	<b>43-16</b>	-	-	-	-
17	73.60	69.11	<b>41-17</b>	60	1210	25	1	<b>42-17</b>	56	1210	25	2	<b>43-17</b>	-	1210	34.9	5
18	77.80	73.14	<b>41-18</b>	60	1210	25	1	<b>42-18</b>	60	1210	25	2	<b>43-18</b>	-	-	-	-
19	81.70	77.16	<b>41-19</b>	63	1210	25	1	<b>42-19</b>	62	1210	25	2	<b>43-19</b>	-	1210	34.9	5
20	85.80	81.19	<b>41-20</b>	71	1610	25	1	<b>42-20</b>	66	1610	25	2	<b>43-20</b>	-	-	-	-
21	89.70	85.22	<b>41-21</b>	71	1610	25	1	<b>42-21</b>	70	1610	25	2	<b>43-21</b>	-	1610	34.9	5
22	93.80	89.24	<b>41-22</b>	71	1610	25	1	<b>42-22</b>	76	1610	25	2	<b>43-22</b>	-	-	-	-
23	98.20	93.27	<b>41-23</b>	76	1610	25	1	<b>42-23</b>	79	1610	25	2	<b>43-23</b>	-	1610	34.9	5
24	101.80	97.29	<b>41-24</b>	76	1610	25	1	<b>42-24</b>	84	1610	25	2	<b>43-24</b>	-	-	-	-
25	105.80	101.33	<b>41-25</b>	76	1610	25	1	<b>42-25</b>	87	2012	32	2	<b>43-25</b>	-	2012	34.9	5
26	110.00	105.36	<b>41-26</b>	76	1610	25	1	<b>42-26</b>	87	2012	32	2	<b>43-26</b>	-	-	-	-
27	114.40	109.40	<b>41-27</b>	76	1610	25	1	<b>42-27</b>	87	2012	32	2	<b>43-27</b>	-	2012	34.9	5
28	118.00	113.42	<b>41-28</b>	90	2012	32	1	<b>42-28</b>	87	2012	32	2	<b>43-28</b>	-	-	-	-
30	126.10	121.50	<b>41-30</b>	90	2012	32	1	<b>42-30</b>	87	2012	32	2	<b>43-30</b>	-	2012	34.9	5
38	158.60	153.80	<b>41-38</b>	90	2012	32	1	<b>42-38</b>	100	2012	32	2	<b>43-38</b>	-	2012	34.9	5
*45	188.00	182.07	<b>41-45</b>	100	2012	32	1 or 6	<b>42-45</b>	100	2012	32	2 or 7	<b>43-45</b>	-	-	-	-
*57	236.40	230.54	<b>41-57</b>	100	2012	32	1 or 6	<b>42-57</b>	100	2012	32	2 or 7	<b>43-57</b>	-	-	-	-
*76	313.30	307.33	<b>41-76</b>	100	2012	32	1 or 6	<b>42-76</b>	100	2012	32	2 or 7	<b>43-76</b>	-	-	-	-
*95	390.10	384.11	<b>41-95</b>	100	2012	32	1 or 6	<b>42-95</b>	100	2012	32	2 or 7	<b>43-95</b>	-	-	-	-
*114	466.90	460.90	<b>41-114</b>	110	2517	45	1 or 6	<b>42-114</b>	110	2012	45	2 or 7	<b>43-114</b>	-	-	-	-

**10B Chain**  
**5/8" x 3/8"**

Pitch: 15.875mm  
Internal width: 9.65mm  
Roller dia: 10.16mm

**Sprocket**

Tooth radius r: 16mm  
Radius width C: 1.6mm  
Tooth width h1: 9.1mm  
Tooth width L: 9mm  
Tooth width h2: 25.5mm  
Tooth width h3: 42.1mm

**10B-1 (51-)**

**10B-2 (52-)**

**10B-3 (53-)**

Teeth	De	Dp	Simplex					Duplex					Triplex				
			Part No.	d	Bush	H	Form	Part No.	d	Bush	H	Form	Part No.	d	Bush	H	Form
13	73.00	66.32	51-13	47	1008	22	1	52-13	-	-	-	-	53-13	-	-	-	-
14	78.00	71.34	51-14	52	1108	22	1	52-14	-	-	-	-	53-14	-	-	-	-
15	83.00	76.36	51-15	60	1210	25	1	52-15	-	1210	25,5	3	53-15	-	1210	42,1	5
16	88.00	81.37	51-16	70	1610	25	1	52-16	-	1610	25,5	3	53-16	-	-	-	-
17	93.00	86.36	51-17	71	1610	25	1	52-17	-	1610	25,5	3	53-17	-	1210	42,1	5
18	98.30	91.42	51-18	75	1610	25	1	52-18	-	1610	25,5	3	53-18	-	-	-	-
19	103.30	96.45	51-19	75	1610	25	1	52-19	-	1610	25,5	3	53-19	-	1615	42,1	5
20	108.40	101.49	51-20	75	1610	25	1	52-20	-	1610	25,5	3	53-20	-	-	-	-
21	113.40	106.52	51-21	76	1610	25	1	52-21	-	1610	25,5	3	53-21	-	1615	42,1	5
22	118.00	111.55	51-22	76	1610	25	1	52-22	-	1610	25,5	3	53-22	-	-	-	-
23	123.40	116.58	51-23	76	1610	25	1	52-23	-	1610	25,5	3	53-23	-	2012	42,1	5
24	128.30	121.62	51-24	90	1610	32	1	52-24	90	2012	32,0	2	53-24	-	-	-	-
25	134.00	126.66	51-25	90	2012	32	1	52-25	90	2012	32,0	2	53-25	105	2517	45,0	4
26	139.00	131.70	51-26	90	2012	32	1	52-26	90	2012	32,0	2	53-26	-	-	-	-
27	144.00	136.75	51-27	90	2012	32	1	52-27	90	2012	32,0	2	53-27	110	2517	45,0	4
28	148.70	141.78	51-28	90	2012	32	1	52-28	90	2012	32,0	2	53-28	-	-	-	-
30	158.80	151.87	51-30	90	2012	32	1	52-30	90	2012	32,0	2	53-30	120	2517	45,0	4
38	199.20	192.24	51-38	100	2012	32	1	52-38	108	2517	45,0	2	53-38	-	-	-	-
*45	235.00	227.58	51-45	100	2012	32	1 or 6	52-45	-	-	-	-	53-45	-	-	-	-
*57	296.00	288.18	51-57	100	2012	32	1 or 6	52-57	-	-	-	-	53-57	-	-	-	-
*76	392.10	384.16	51-76	100	2012	32	1 or 6	52-76	-	-	-	-	53-76	-	-	-	-
*95	488.50	480.14	51-95	110	2517	45	1 or 6	52-95	-	-	-	-	53-95	-	-	-	-
*114	584.10	576.13	51-114	110	2517	45	1 or 6	52-114	-	-	-	-	53-114	-	-	-	-

**12B Chain**  
**3/4" x 7/16"**

Pitch: 19.05mm  
Internal width: 11.68mm  
Roller dia: 12.07mm

**Sprocket**

Tooth radius r: 19mm  
Radius width C: 2mm  
Tooth width h1: 11.1mm  
Tooth width L: 10.8mm  
Tooth width h2: 30.3mm  
Tooth width h3: 49.8mm

**12B-1 (61-)**

**12B-2 (62-)**

**12B-3 (63-)**

Teeth	De	Dp	Simplex					Duplex					Triplex				
			Part No.	d	Bush	H	Form	Part No.	d	Bush	H	Form	Part No.	d	Bush	H	Form
13	87.50	79.59	61-13	60	1210	25	1	62-13	-	-	-	-	63-13	-	-	-	-
14	93.60	85.61	61-14	70	1610	25	1	62-14	-	-	-	-	63-14	-	-	-	-
15	99.80	91.63	61-15	70	1610	25	1	62-15	-	1610	30.3	3	63-15	-	1615	49,8	5
16	105.50	97.65	61-16	75	1610	25	1	62-16	-	1610	30.3	3	63-16	-	-	-	-
17	111.50	103.67	61-17	76	1610	25	1	62-17	-	1610	30.3	3	63-17	-	2012	49,8	5
18	118.00	109.71	61-18	90	2012	32	1	62-18	90	2012	32	2	63-18				
19	124.20	115.75	61-19	90	2012	32	1	62-19	90	2012	32	2	63-19	-	2012	49,8	5
20	129.70	121.78	61-20	90	2012	32	1	62-20	108	2517	45	2	63-20				
21	136.00	127.82	61-21	102	2517	45	1	62-21	108	2517	45	2	63-21	-	2517	49,8	5
22	141.80	133.86	61-22	102	2517	45	1	62-22	108	2517	45	2	63-22				
23	149.00	139.90	61-23	108	2517	45	1	62-23	108	2517	45	2	63-23	-	2517	49,8	5
24	153.90	145.94	61-24	108	2517	45	1	62-24	108	2517	45	2	63-24				
25	160.00	152.00	61-25	108	2517	45	1	62-25	108	2517	45	2	63-25	-	2517	49,8	5
26	165.90	158.04	61-26	108	2517	45	1	62-26	108	2517	45	2	63-26				
27	172.30	164.00	61-27	108	2517	45	1	62-27	108	2517	45	2	63-27	140	3020	51	4
28	178.00	170.13	61-28	108	2517	45	1	62-28	108	2517	45	2	63-28				
30	190.50	182.25	61-30	108	2517	45	1	62-30	108	2517	45	2	63-30	140	3020	51	4
38	239.00	230.69	61-38	108	2517	45	1	62-38	140	3020	51	2	63-38	140	3020	51	4
*45	282.50	273.10	61-45	108	2517	45	1 or 6	62-45	140	3020	51	2 or 7	63-45	140	3020	51	4 or 8
*57	355.40	345.81	61-57	108	2517	45	1 or 6	62-57	140	3020	51	2 or 7	63-57	140	3020	51	4 or 8
*76	469.90	460.99	61-76	108	2517	45	1 or 6	62-76	140	3020	51	2 or 7	63-76	140	3020	51	4 or 8
*95	585.10	576.17	61-95	108	2517	45	1 or 6	62-95	140	3020	51	2 or 7	63-95	140	3020	76	4 or 8
*114	700.60	691.36	61-114	108	2525	64	1 or 6	62-114	140	3030	76	2 or 7	63-114	140	3030	76	4 or 8



**16B Chain**  
1" x 17.02mm

Pitch : 25.4mm  
Internal width: 17.02mm  
Roller dia: 15.88mm

**Sprocket**

Tooth radius r: 26mm  
Radius width C: 2.5mm  
Tooth width h1: 16.2mm  
Tooth width L: 15.8mm  
Tooth width h2: 47.7mm  
Tooth width h3: 79.6mm

**16B-1 (81-)**

**16B-2 (82-)**

**16B-3 (83-)**

Teeth	De	Dp	Simplex					Duplex					Triplex				
			Part No.	d	Bush	H	Form	Part No.	d	Bush	H	Form	Part No.	d	Bush	H	Form
13	117.00	106.12	81-13	73	1610	25	1	82-13					83-13				
14	125.00	114.15	81-14	76	1610	25	1	82-14					83-14				
15	133.00	122.17	81-15	76	1610	25	1	82-15	-	2012	47.7	3	83-15				
16	141.00	130.20	81-16	90	2012	32	1	82-16	-	2517	47.7	3	83-16				
17	149.00	138.22	81-17	90	2012	32	1	82-17	-	2517	47.7	3	83-17		2517	79.6	5
18	157.00	146.28	81-18	108	2517	45	1	82-18	-	2517	47.7	3	83-18				
19	165.20	154.33	81-19	108	2517	45	1	82-19	-	2517	47.7	3	83-19		3020	79.6	5
20	173.20	162.38	81-20	108	2517	45	1	82-20	-	2517	47.7	3	83-20				
21	181.20	170.43	81-21	110	2517	45	1	82-21	140	3020	51	2	83-21		3020	79.6	5
22	189.30	178.48	81-22	110	2517	45	1	82-22	140	3020	51	2	83-22				
23	197.50	186.53	81-23	110	2517	45	1	82-23	140	3020	51	2	83-23		3525	79.6	5
24	205.50	194.59	81-24	110	2517	45	1	82-24	140	3020	51	2	83-24				
25	213.50	202.66	81-25	110	2517	45	1	82-25	140	3020	51	2	83-25		3525	79.6	5
26	221.60	210.72	81-26	110	2517	45	1	82-26	140	3020	51	2	83-26				
27	229.60	218.79	81-27	110	2517	45	1	82-27	140	3020	51	2	83-27		3525	79.6	5
28	237.70	226.85	81-28	110	2517	45	1	82-28	140	3020	51	2	83-28				
30	254.00	243.00	81-30	140	3020	51	1	82-30	140	3020	51	2	83-30	-	3525	79.6	5
38	320.70	307.59	81-38	140	3020	51	1	82-38	140	3020	51	2	83-38	-	3525	79.6	5
45	377.10	364.13	81-45	140	3020	51	1 or 6	82-45	140	3020	51	2 or 7	83-45	216	4030	79.6	5 or 8
*57	474.00	461.07	81-57	140	3020	51	1 or 6	82-57	175	3525	65	2 or 7	83-57	216	4030	79.6	5 or 8
*76	627.00	614.65	81-76	140	3020	51	1 or 6	82-76	175	3525	65	2 or 7	83-76	216	4030	79.6	5 or 8
*95	781.10	768.22	81-95	140	3020	51	1 or 6	82-95	215	3525	65	2 or 7	83-95	240	4030	79.6	5 or 8
*114	934.30	921.81	81-114	140	3030	76	1 or 6	82-114	215	4040	102	2 or 7	83-114	240	4545	115,0	4 or 8

**20B-1 (101-)**

Teeth	De	Dp	Simplex				
			Part No.	d	Bush	H	Form
13	147.80	132.65	101-13	90	2012	32	1
15	167.90	152.72	101-15	108	2517	45	1
17	187.90	172.78	101-17	108	2517	45	1
19	208.10	192.91	101-19	108	2517	45	1
21	228.20	213.04	101-21	108	2517	45	1
23	248.30	233.17	101-23	108	2517	45	1
25	268.50	253.33	101-25	108	2517	45	1
27	288.60	273.40	101-27	150	3020	51	1
30	318.90	303.75	101-30	150	3020	51	1
*38	399.60	384.49	101-38	160	3020	51	1 or 6
*45	470.30	455.17	101-45	160	3020	51	1 or 6
*57	591.50	576.36	101-57	160	3020	51	1 or 6
*76	783.50	768.32	101-76	160	3020	51	1 or 6

**20B Chain**  
1-1/4" x 3/4"

Pitch : 31.75mm  
Internal width: 19.56mm  
Roller dia: 19.05mm

**Sprocket**

Tooth radius r: 32mm  
Radius width C: 3.5mm  
Tooth width h1: 18.5mm  
Tooth width L: 18.2mm  
Tooth width h2: 54.6mm  
Tooth width h3: 91mm



**IDLER SPROCKETS WITH BALL BEARING**

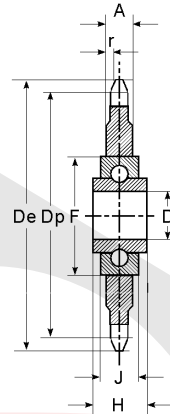


**IDLER SPROCKETS WITH BALL BEARING**

**Description**

Idler sprockets are manufactured to internationally recognised standards DIN8187-ISO/R 606 and are produced from C45 steel UNI EN 10083-1 having a minimum strength of 600 N/mm<sup>2</sup>. Conveniently stocked with an integral ball bearing fitted (dimension 'D' for bore size).

Available from stock to suit British standard roller chains from 05B (8mm pitch) up to 20B (1-1/4" pitch) sizes in Simplex (single) row of teeth.



**05B-1 TO 20B-1**

Teeth	De	Dp	Part No.	Chain Type	B1	A	D	F	H	J
23	62.00	58.75	<b>PW105B/23 IDLER</b>	05B-1 8x1/8"	2.8	7	16 +0.13 +0.26	40	18.3	12
21	68.00	63.91	<b>3SR21-IDLER</b>	0B6-1 3/8"x7/32"	5.3	7	16 +0.13 +0.26	40	18.3	12
18	78.90	73.14	<b>PW081/18 IDLER</b>	081-1 1/2"x1/8"	3	7	16 +0.13 +0.26	40	18.3	12
18	78.90	73.14	<b>PW083/18 IDLER</b>	083-1 1/2"x3/16"	4.5	7	16 +0.13 +0.26	40	18.3	12
16	69.50	65.10	<b>4SR16-IDLER</b>	08B-1 1/2"x5/16"	7.2	7.2	16 +0.13 +0.26	40	18.3	12
18	77.80	73.14	<b>4SR18-IDLER</b>	08B-1 1/2"x5/16"	7.2	7.2	16 +0.13 +0.26	40	18.3	12
14	78.00	71.34	<b>5SR14-IDLER</b>	10B-1 5/8"x3/8"	9.1	9.1	16 +0.13 +0.26	40	18.3	12
15	83.00	76.36	<b>5SR15-IDLER</b>	10B-1 5/8"x3/8"	9.1	9.1	16 +0.13 +0.26	40	18.3	12
17	86.30	86.30	<b>5SR17-IDLER</b>	10B-1 5/8"x3/8"	9.1	9.1	16 +0.13 +0.26	40	18.3	12
13	87.50	79.59	<b>6SR13-IDLER</b>	12B-1 3/4"x7/16"	11.1	11.1	16 +0.13 +0.26	40	18.3	12
15	99.80	91.63	<b>6SR15-IDLER</b>	12B-1 3/4"x7/16"	11.1	11.1	16 +0.13 +0.26	40	18.3	12
12	109.00	98.14	<b>8SR12-IDLER</b>	16B-1 1"x17.02	16.2	16.2	20 +0.00 +0.01	47	17.7	14
13	147.80	132.65	<b>10SR13-IDLER</b>	20B-1 1"1/4x3/4"	18.5	18.5	25 +0.00 +0.01	52	21	15



“We are proud to be a European manufacturer; it is a privilege to supply our products to some of the world’s most prestigious original equipment manufacturers in the Agricultural, Automotive, Construction, Industrial and Motor Sport sectors”.



Agriculture

“Our distributor network is vital to the continued global growth of the DUNLOP brand and our valued distributor partners form the perfect link between manufacturer and end user”.



Automotive

“Our commitment to our staff, our customers and the environment is of paramount importance to our company, we will continue to develop our organisational skills to further enhance our company’s potential, to engage in sustainable practices and anticipate the needs and expectations of our customers”.



Construction

“We love our products”.

Ray Mifsud, Managing Director.

A handwritten signature in black ink, appearing to read 'R. Mifsud'.

Industrial

**#WeLoveOurProducts**



Motor Sport



TRANSMISSIONS

DUNLOP BTL Ltd, MPT House, Brunswick Road, Cobbs Wood Industrial Estate, Ashford, Kent TN23 1EL, UK  
T: +44 (0)1233 663340 • F: +44 (0)1233 664440 • E: [sales@dunlopctl.com](mailto:sales@dunlopctl.com) • W: [www.dunlopctl.com](http://www.dunlopctl.com)

DUNLOP™ and the Flying D device™ are used under licence by DUNLOP BTL Ltd.